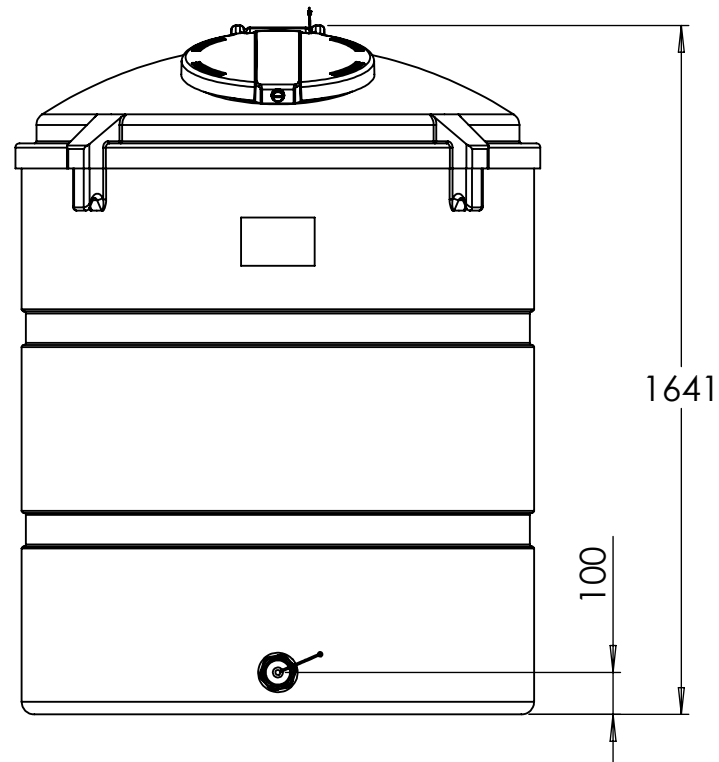
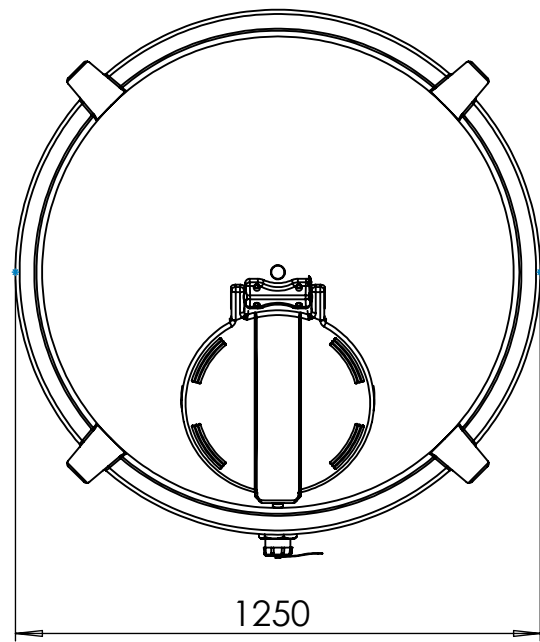


# TD1600P



Lockable Inspection Lid

2" BSP Outlet



**NOTE:**

1. BRIMFILL CAPACITY: 1660 LITRES
2. ROTOMOLDED FROM WRAS APPROVED POLYETHYLENE

Please Check with Kingspan Water & Energy Ltd For The Latest Issue Of This Drawing

UNLESS OTHERWISE SPECIFIED DIMENSIONS ARE IN MM. TOLERANCES ARE: NO DECIMAL ±5	DRAWN	DATE	<b>Tanks Direct</b> TEL: 01643 703358 Website: www.tanks-direct.co.uk Email: sales@tanks-direct.co.uk	
	OF	03 Sep 2024		
MASS (Kg) 42.5	APPROVED		TD1600P Potable Water Tank	
PROJECTION  3RD ANGLE PROJECTION			DRAWING NO. 1061747	REV. 01
CAD GENERATED DRAWING, DO NOT MANUALLY UPDATE DO NOT SCALE DRAWING			SHEET SIZE A3	
			IF IN DOUBT - <b>ASK.</b>	