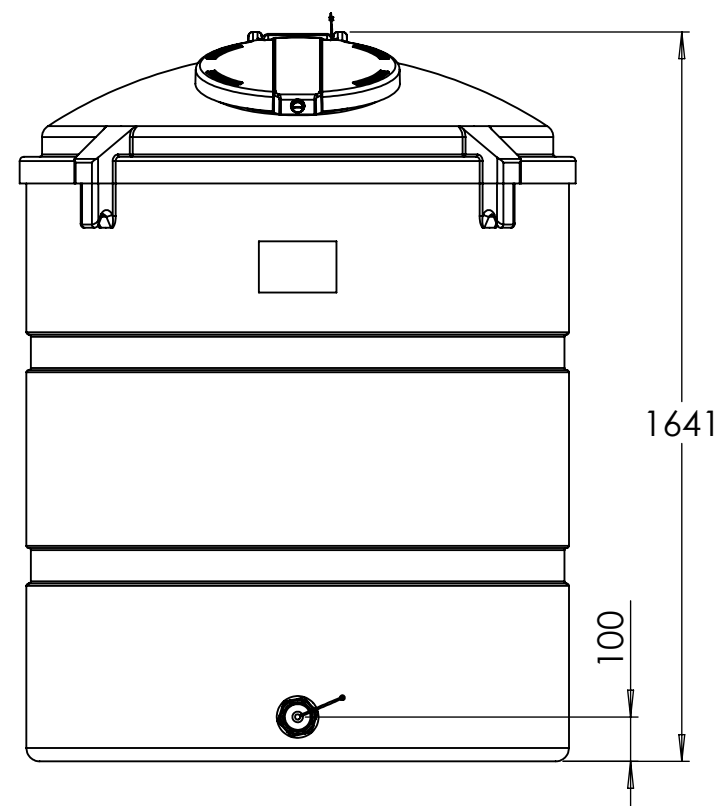
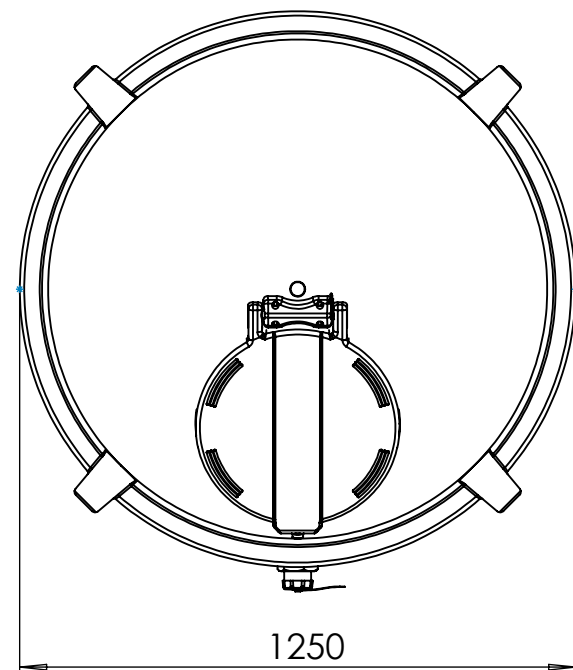


TD1600



Lockable Inspection Lid



NOTE:
1. BRIMFILL CAPACITY: 1660 LITRES

Please Check with Kingspan Water & Energy Ltd For The Latest Issue Of This Drawing

UNLESS OTHERWISE SPECIFIED DIMENSIONS ARE IN MM. TOLERANCES ARE: NO DECIMAL ±5	DRAWN	DATE	Tanks Direct TEL: 01643 703358 Website: www.tanks-direct.co.uk Email: sales@tanks-direct.co.uk	
	OF	03 Sep 2024		
MASS (Kg) 42.5	APPROVED		TD1600 Water Tank DRAWING NO. 1061457 REV. 01 SHEET SIZE A3 IF IN DOUBT - ASK.	
PROJECTION  3RD ANGLE PROJECTION				
CAD GENERATED DRAWING, DO NOT MANUALLY UPDATE DO NOT SCALE DRAWING		SHEET 1 OF 1		