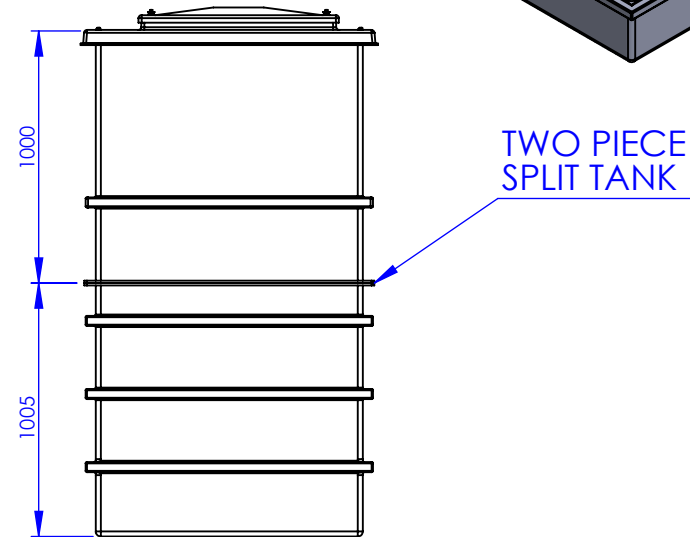
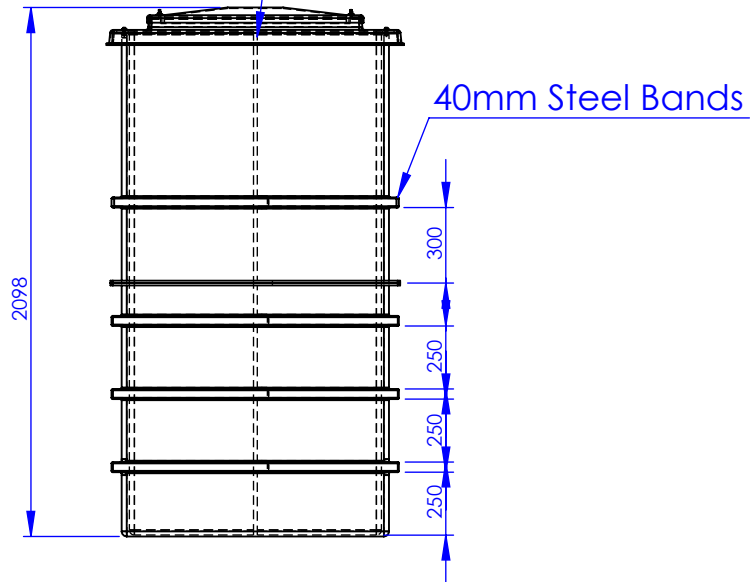


Internal Central Division



TITLE
PW2001-2.DIV.AG - TD

DRAWN BY
D.PRYJMACHUK

DATE
17/10/2024

NOTE:
All tanks must be fully supported on a flat, level & continuous foundation providing structural support to the tank when full to maximum operating capacity. It is essential that the user refers to the conditions of installation document prior to the installation of the tank. Under no circumstances should the tank body be used to provide support to pipework and ancillary items. The tank lid is a structural part of the tank and must be in place and fitted correctly when water is contained within the tank.

DESCRIPTION:
PW2001-2.DIV.AG - TD
PW2001 Two piece divided cold water storage tank suitable for an AG/AF Air gap

TANK SPECIFICATION :	
INTERNAL DIMENSIONS	1000 x 1000 x 2000mm
EXTERNAL DIMENSIONS	1180 x 1180 x 2098mm
NOM. CAPACITY	2000 Litres
DRY WEIGHT	xxx KG
INSULATION THICKNESS	25mm
MATERIAL	GRP

