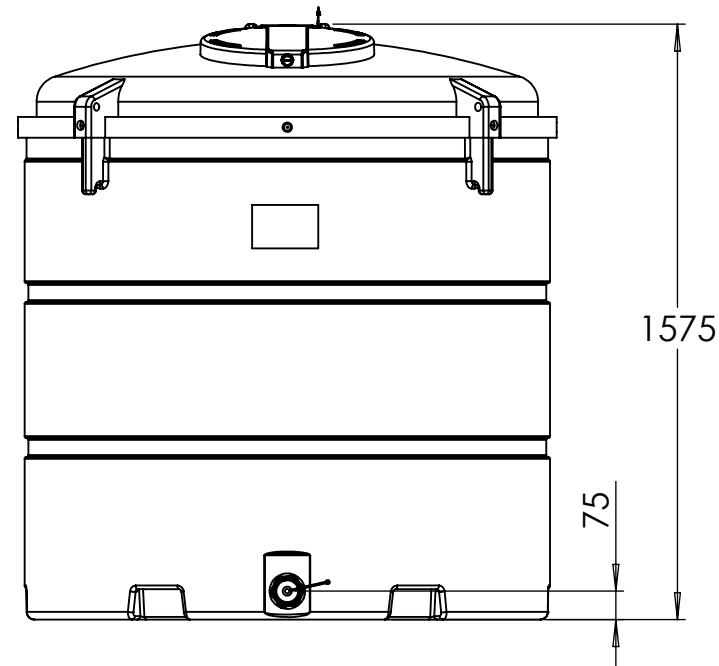
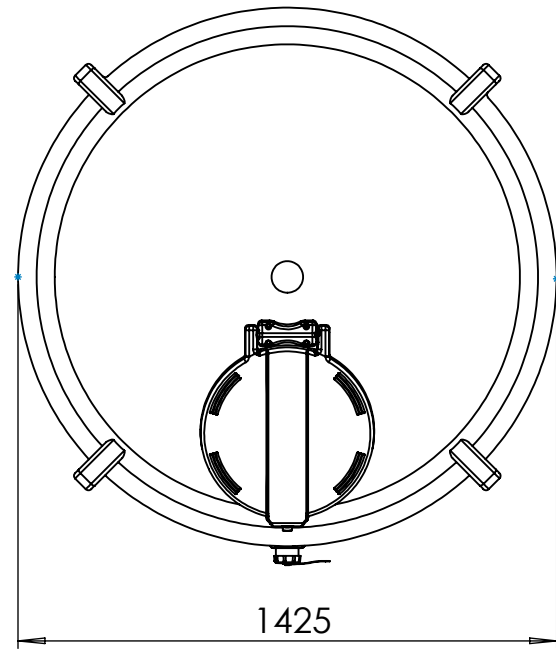
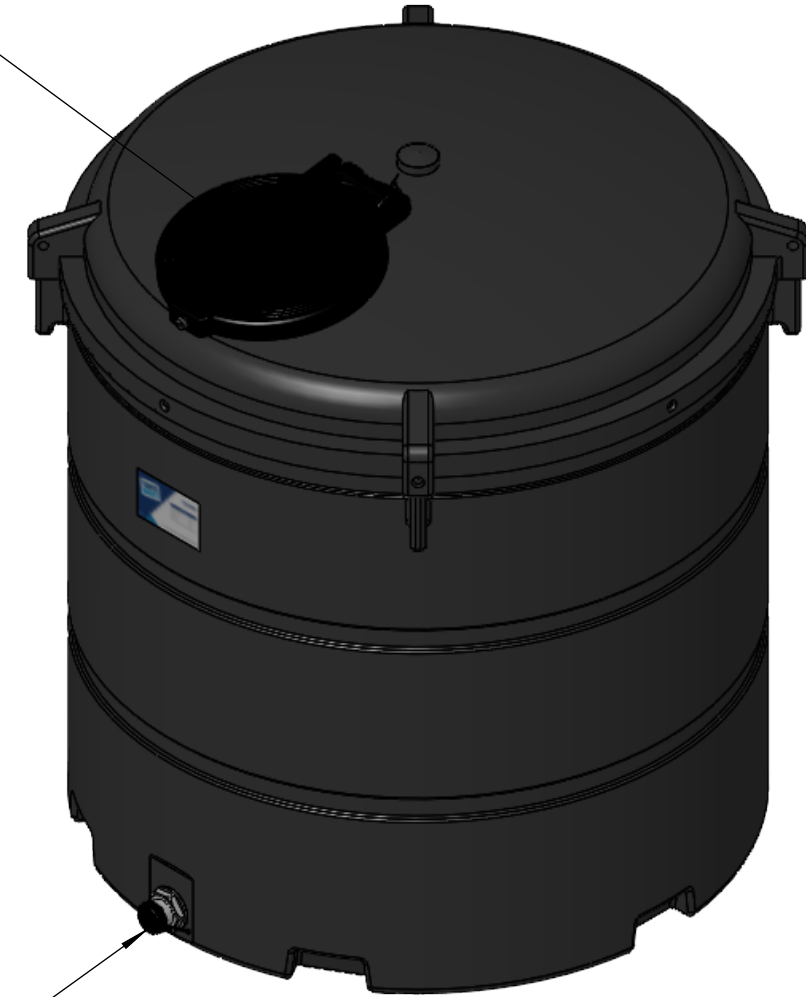


# TD2000



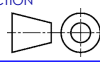
Lockable Inspection Lid

2" BSP Outlet



**NOTE:**  
1. BRIMFILL CAPACITY: 2100 LITRES

Please Check with Kingspan Water & Energy Ltd For The Latest Issue Of This Drawing

UNLESS OTHERWISE SPECIFIED DIMENSIONS ARE IN MM. TOLERANCES ARE: NO DECIMAL ±5	DRAWN	DATE	<b>Tanks Direct</b> TEL: 01643 703358 Website: www.tanks-direct.co.uk Email: sales@tanks-direct.co.uk	
	OF	02 Sep 2024		
MASS (Kg) 61.5	APPROVED		TD2000 Water Tank	
PROJECTION 	3RD ANGLE PROJECTION			DRAWING NO. 1061538
CAD GENERATED DRAWING, DO NOT MANUALLY UPDATE DO NOT SCALE DRAWING		IF IN DOUBT - <b>ASK.</b>		REV. 01 SHEET SIZE A3 SHEET 1 OF 1