



AQUAMAXX INSULATED



AQUAMAXX INSULATED APPLICATIONS

**Suitable domestic and commercial
cold water boosting applications
where space is limited.**

- Residential properties
- Small commercial buildings
- Workshops
- Outbuildings
- Wash-down areas

PRODUCT OVERVIEW

The AquaMaxx Insulated is specifically designed to supply potable water to homes where mains pressure is insufficient. The AquaMaxx comes complete with a variable or fixed speed control and a powerful submersible WRAS approved pump.

The chamber is constructed from DPT Thermosure, an advanced three-stage MDPE polymer providing fantastic insulation properties and an eco-friendly alternative to GRP.

The AquaMaxx Insulated is ideal for domestic and light commercial developments such as houses, apartments, shops, offices, and more.

The AquaMaxx Insulated fits into tight spaces and can be easily hidden away in a small room or plant area.

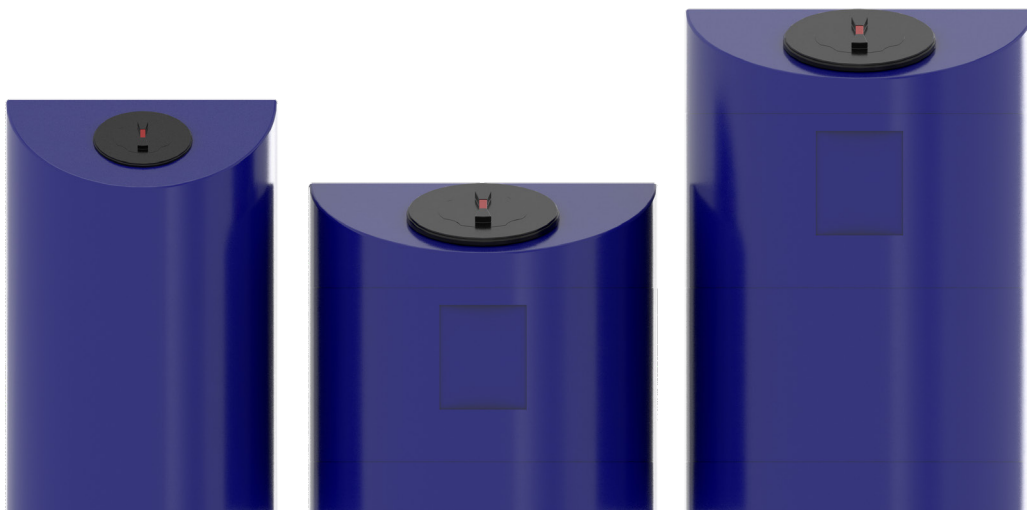
KEY FEATURES

The AquaMaxx Insulated comes packed with a range of industry leading technology, key features include:-

- Insulated "Thermosure" chamber
- Pre-fitted WRAS approved ball valve
- WRAS approved pump(s)
- Integral overflow weir
- Digital display controller
- Dry run protection with auto restart
- Blue-tooth communication
- WRAS approved inverter and vessel
- Available in AG and AB air gap options

CHAMBER SIZE GUIDE

Capacity	Pump Arrangement	Diameter (mm)	Height (mm)	Outlet (Single)	Outlet (Twin)	Overflow
300	Single	610	1200	1" BSP	N/A	22mm
450	Single	610	1700	1" BSP	N/A	22mm
550	Single/Twin	780	1200	1" BSP	2 x 1 1/4"	22mm
750	Single/Twin	780	1700	1" BSP	2 x 1 1/4"	22mm
800	Single/Twin	1000	950	1" BSP	2 x 1 1/4"	22mm
1200	Single/Twin	1000	1450	1" BSP	2 x 1 1/4"	22mm



SYSTEM BREAKDOWN

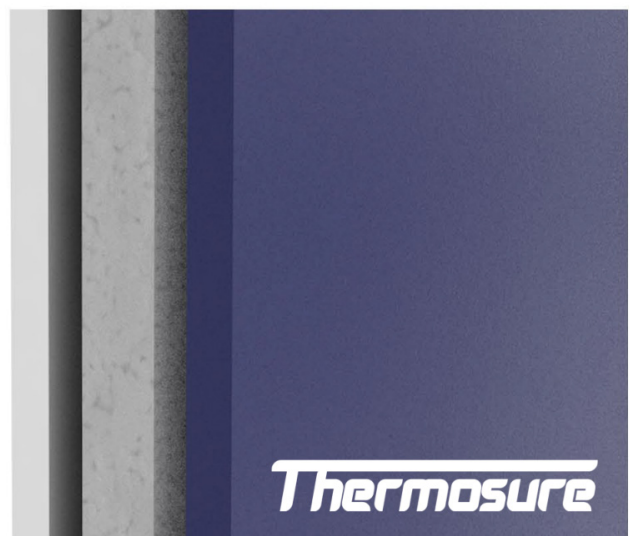


DPT THERMOSURE

Thermosure is an advanced thermo-retentive material comprised of multiple polymers that are bonded together during the moulding process.

Thermosure has been thoroughly tested under strict real-world conditions as well as computer simulations to ensure liquids remain resistant to excessive heat and cold temperatures.

We are the only company in the U.K. to offer this advanced insulated material to form a complete insulated cold water booster set.

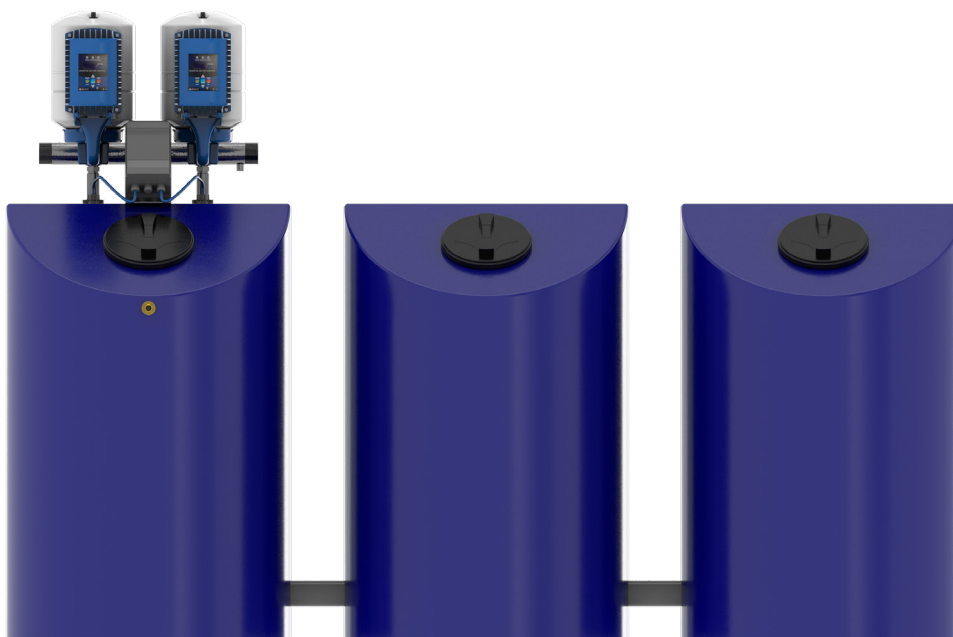


SLAVE TANK CONFIGURATION (SINGLE PUMP)

Multiple AquaMaxx tanks can be "daisy-chained" together to increase storage for your cold water booster system, this is especially useful if you wish to place tanks in confined positions or access is through standard doorways.



SLAVE TANK CONFIGURATION (TWIN PUMP)



THE POWER BEHIND THE PRODUCT

All AquaMaxx Insulated booster sets use IDROGO submersible pump(s) which comprise of stainless steel outer casing and glass fibre reinforced PPE impellers.

The IDROGO series of electric pumps are reliable and corrosion-resistant, due to advanced technical solutions adopted in its construction, such as the double mechanical seal in the oil chamber.

This pump is professionally pre-installed in every AquaMaxx Insulated system and comes in single or twin configuration.

The pump is a powerful and popular choice for home water booster sets, this makes it extremely easy to service and maintain.

It's high popularity also means that you can be sure you are using a tried and tested pump in your home AquaMaxx Insulated system.

PUMP FEATURES

- PPE+PS impeller with glass fibres
- Stainless steel 431 shaft (EN 1.4057)
- WRAS approved
- An AISI 304 outer casing
- A carbon/ceramic/silicon/NBR mechanical seal



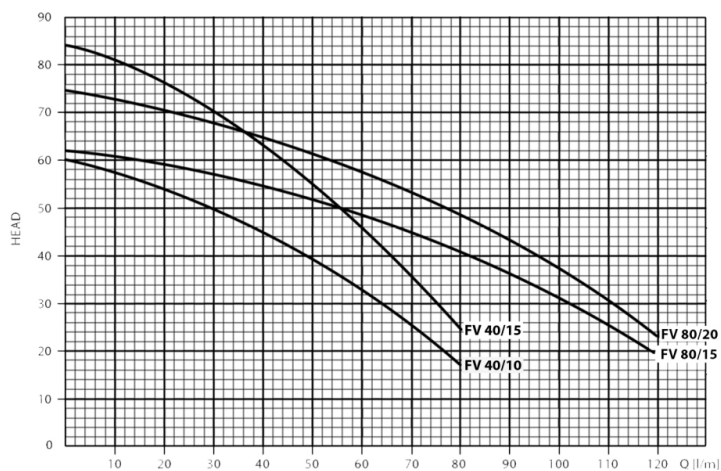
CERTIFICATIONS



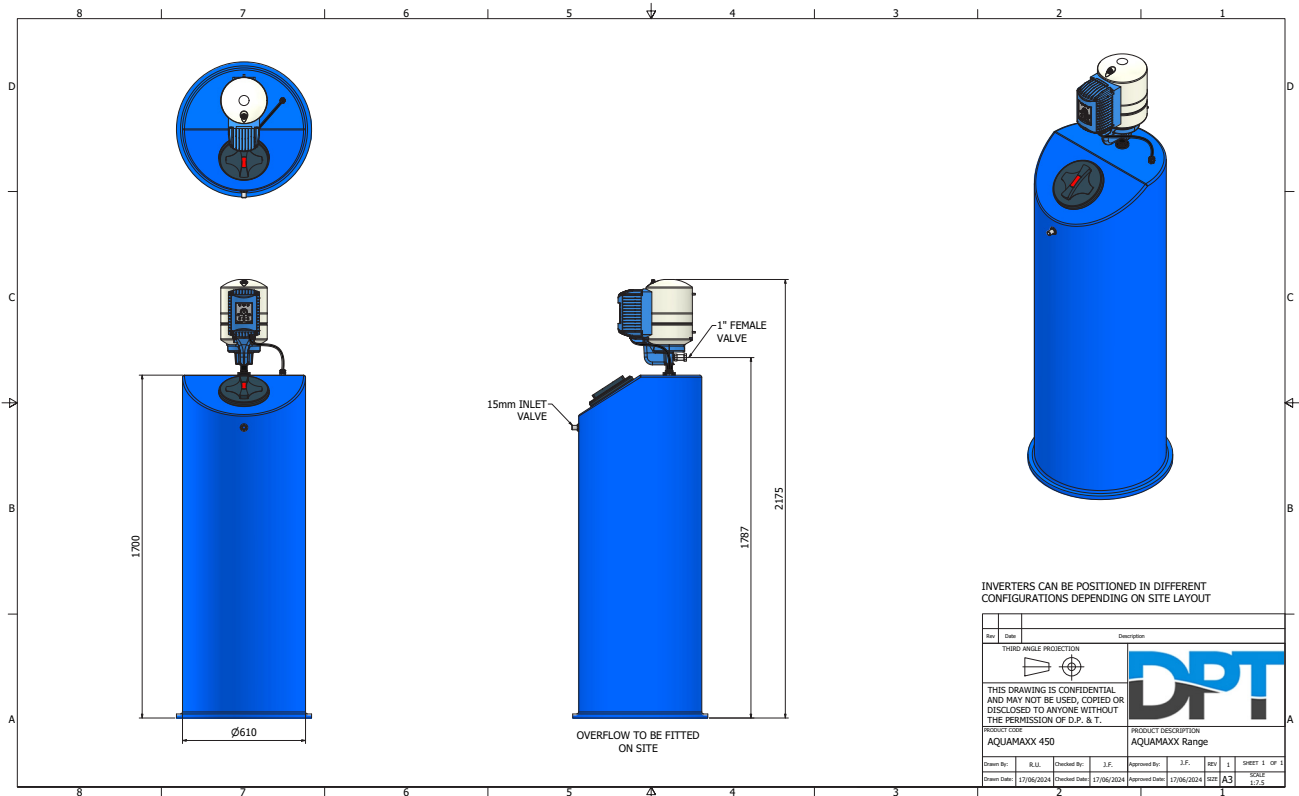
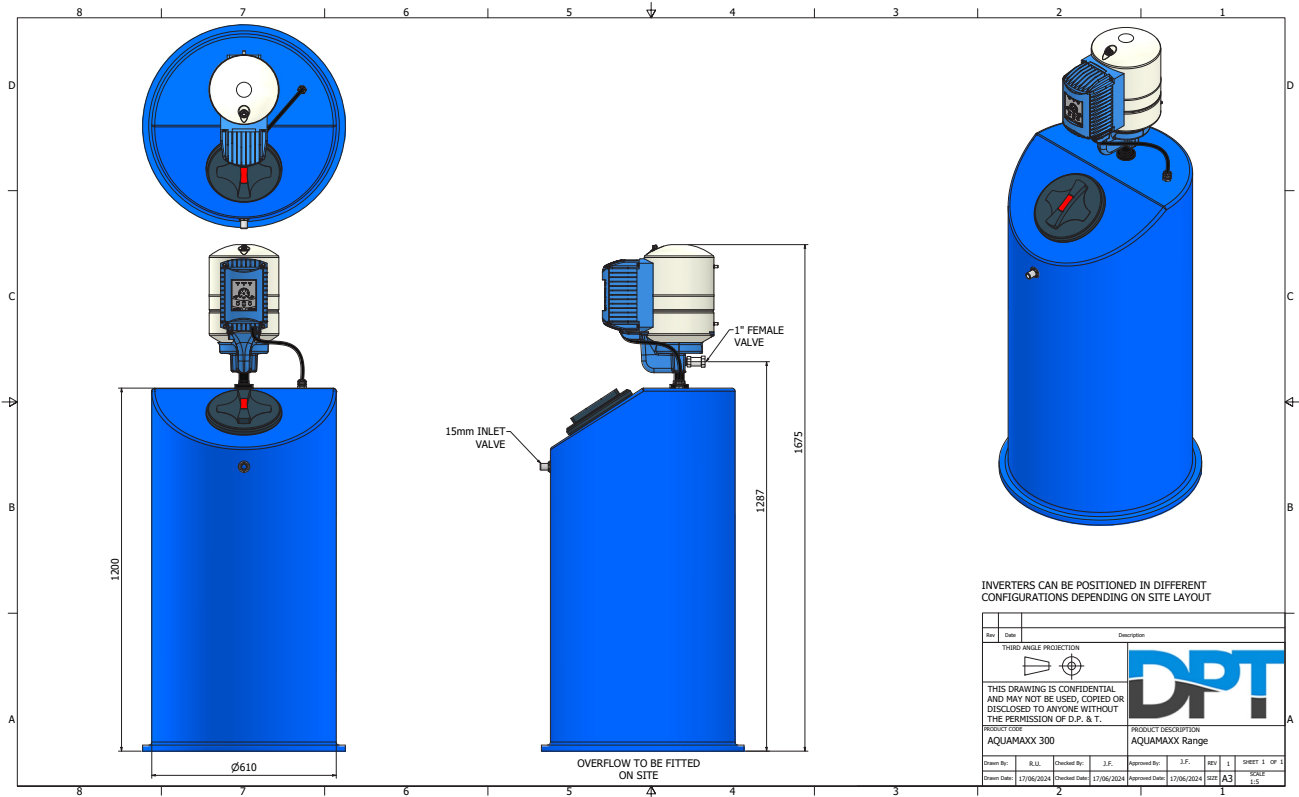
TECHNICAL INFORMATION

Model Number	Arrangement	Mid Curve Flow	Mid Curve Pressure	Kw Rating	Running Current (amp)
FV40/10S	Single	40 L/min	4.5 bar	0.75	3.8
FV40/15S	Single	40 L/min	6.5 bar	1.1	5.2
FV80/15S	Single	60 L/min	4.5 bar	1.1	5.4
FV80/20S	Single	60 L/min	5.8 bar	1.5	6.1
FV40/10T	Twin	80 L/min	4.5 bar	2 x 0.75	2 x 3.8
FV40/15T	Twin	80 L/min	6.5 bar	2 x 1.1	2 x 5.2
FV80/15T	Twin	120 L/min	4.5 bar	2 x 1.1	2 x 5.4
FV80/20T	Twin	120 L/min	5.8 bar	2 x 1.5	2 x 6.1

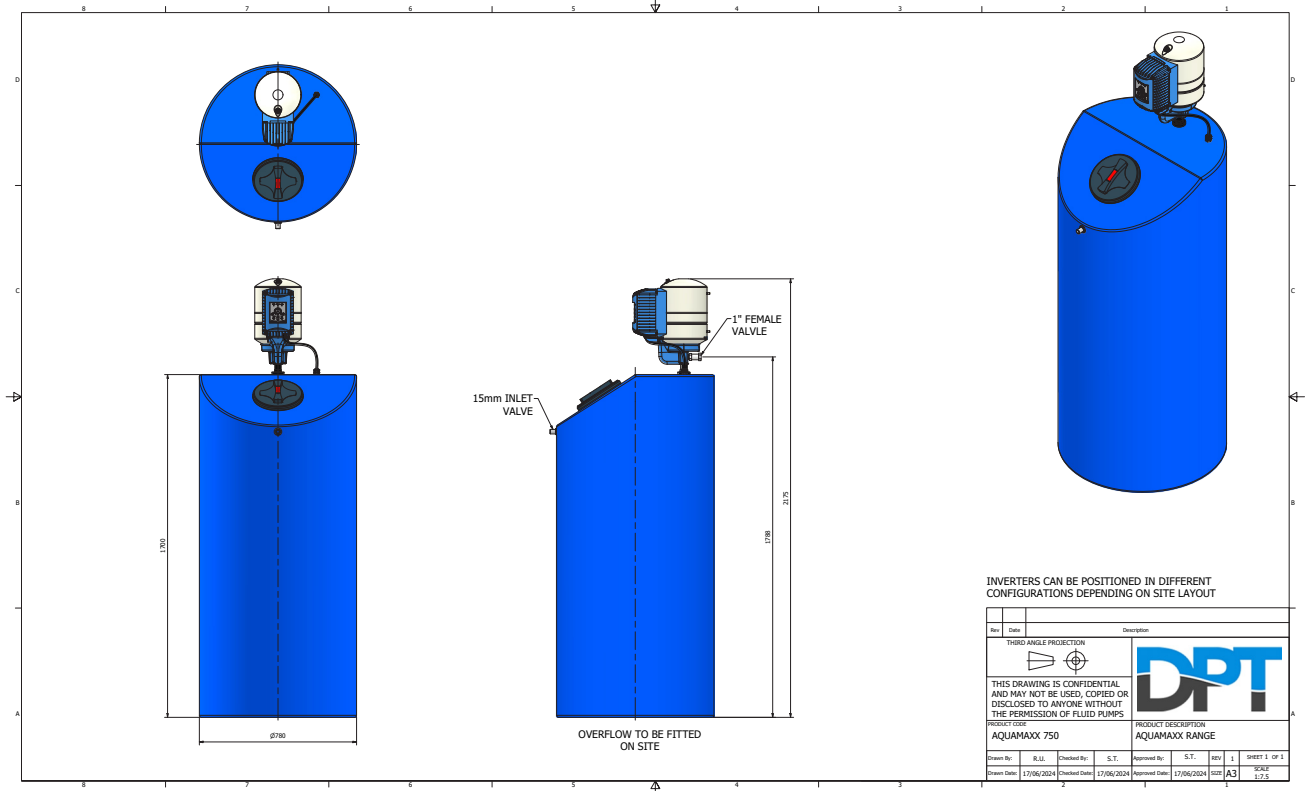
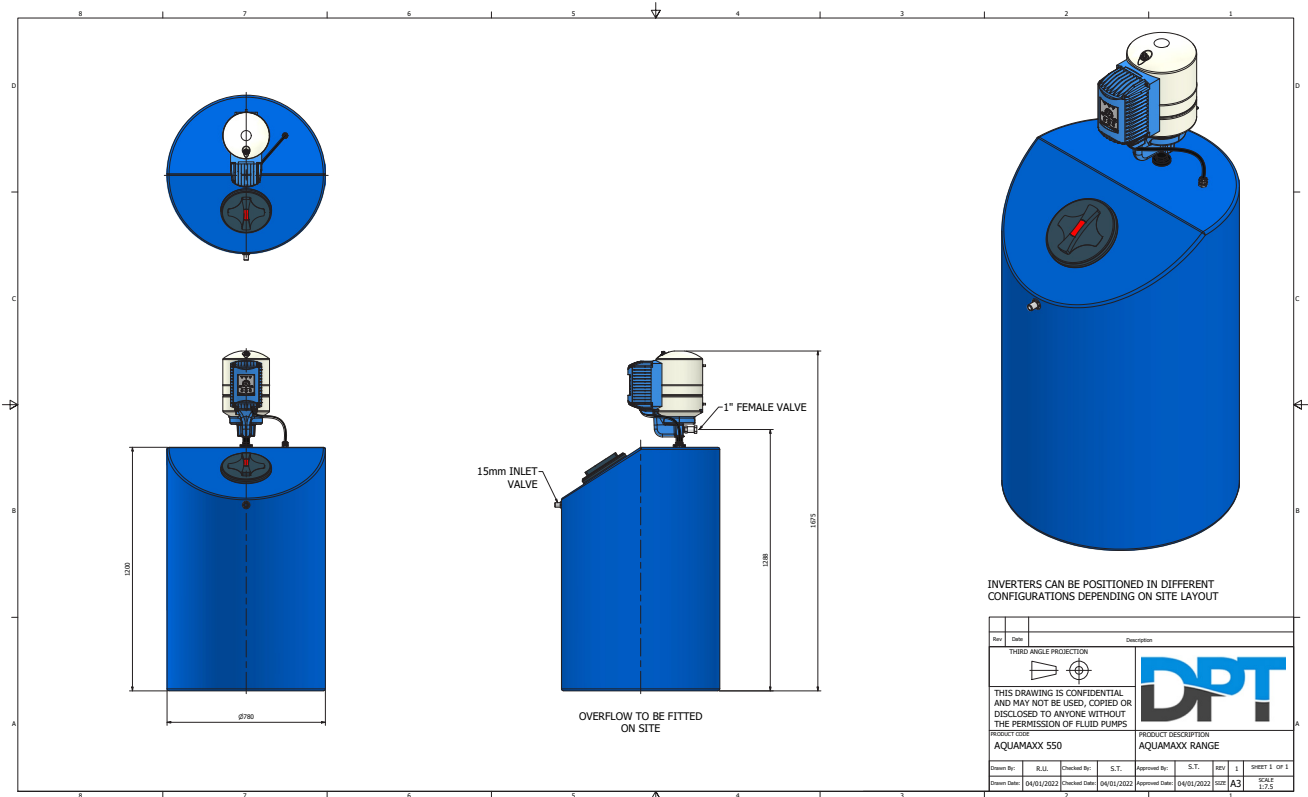
Model Number	Supply Voltage	Inlet	Outlet	Overflow (mm)	Dry Weight (kg)
FV40/10S	Single	1/2"	1"	40	74
FV40/15S	Single	1/2"	1"	40	76
FV80/15S	Single	1/2"	1"	40	78
FV80/20S	Single	1/2"	1"	40	80
FV40/10T	Twin	1/2"	1 1/4"	40	94
FV40/15T	Twin	1/2"	1 1/4"	40	96
FV80/15T	Twin	1/2"	1 1/4"	40	98
FV80/20T	Twin	1/2"	1 1/4"	40	100



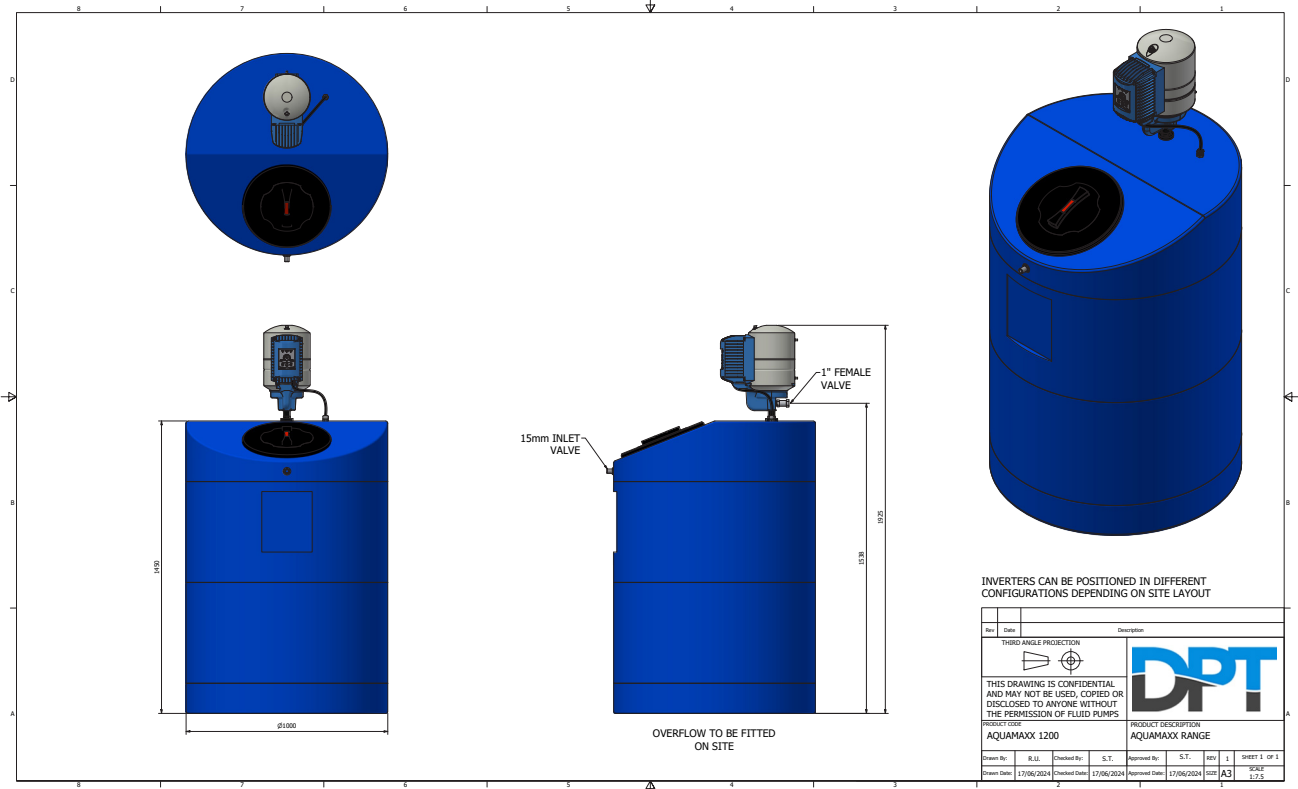
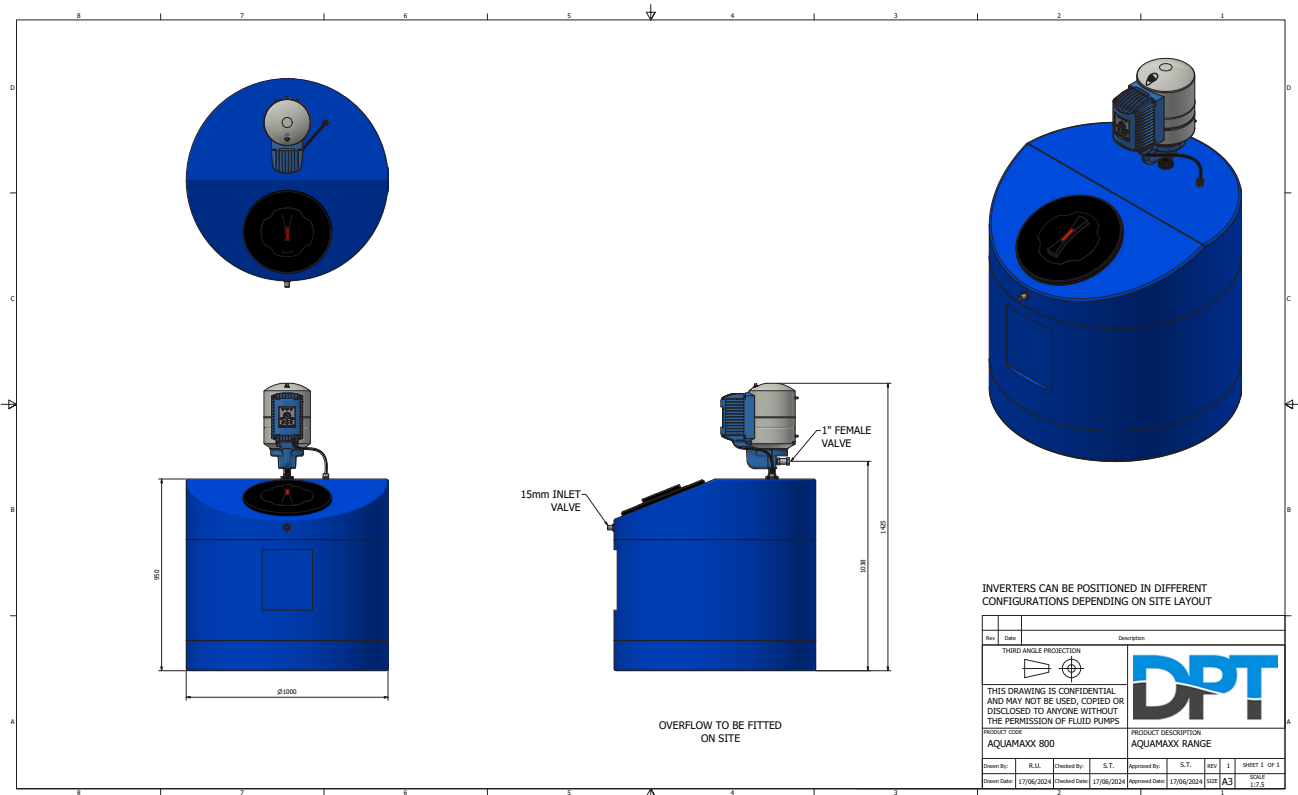
PRODUCT DRAWINGS



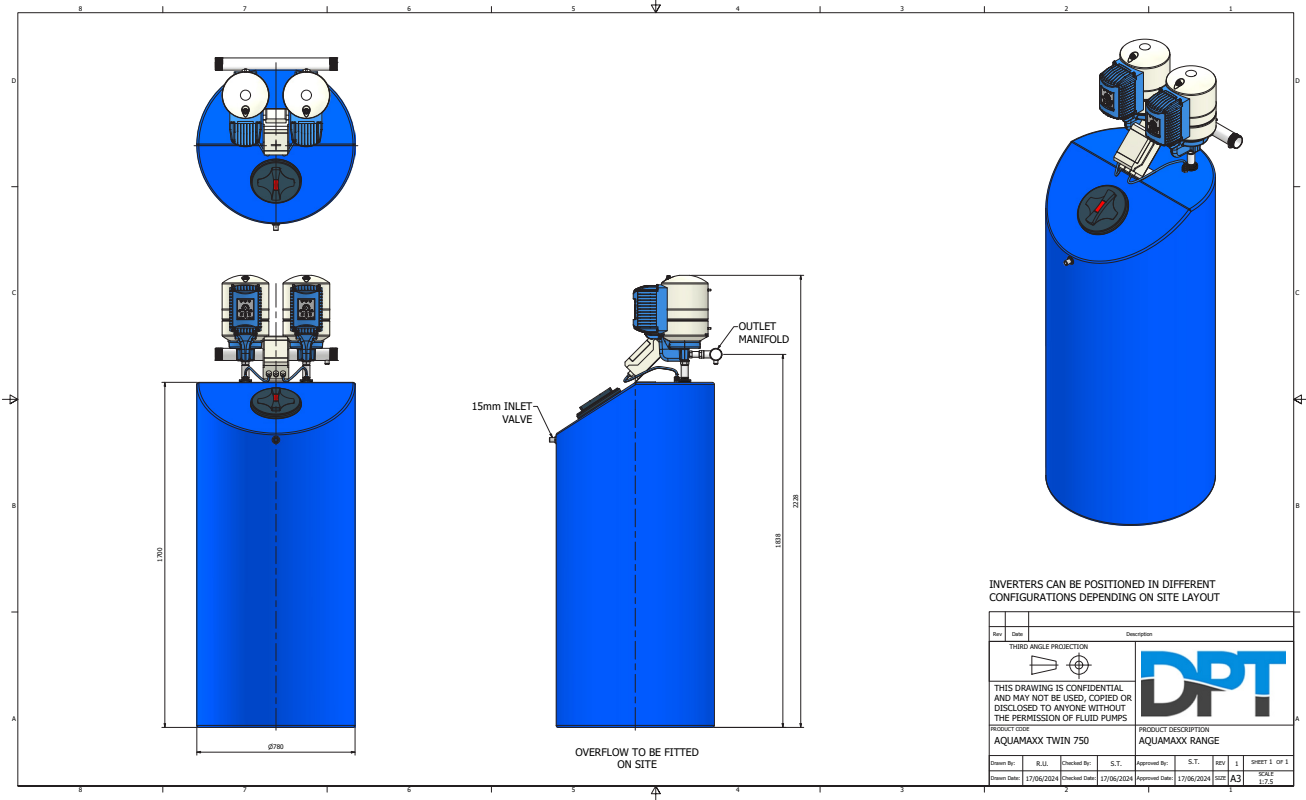
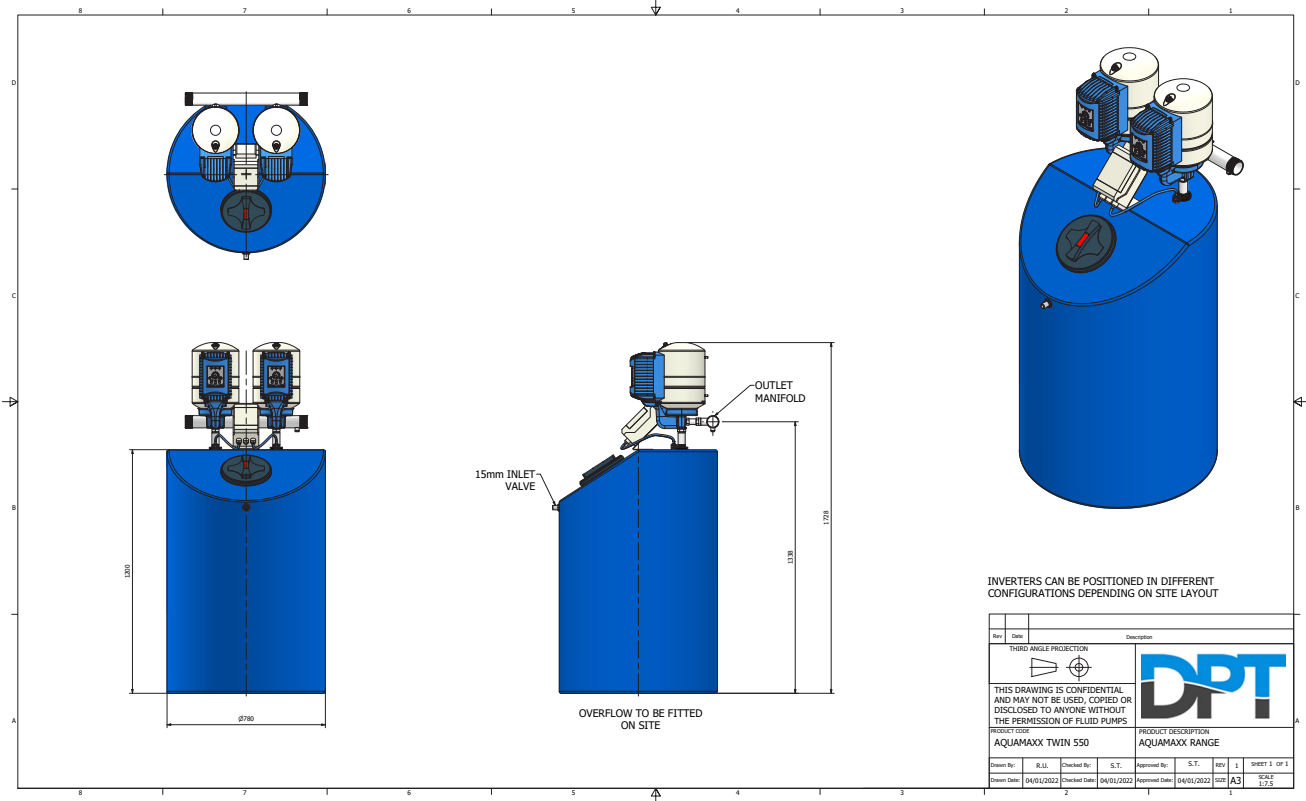
PRODUCT DRAWINGS



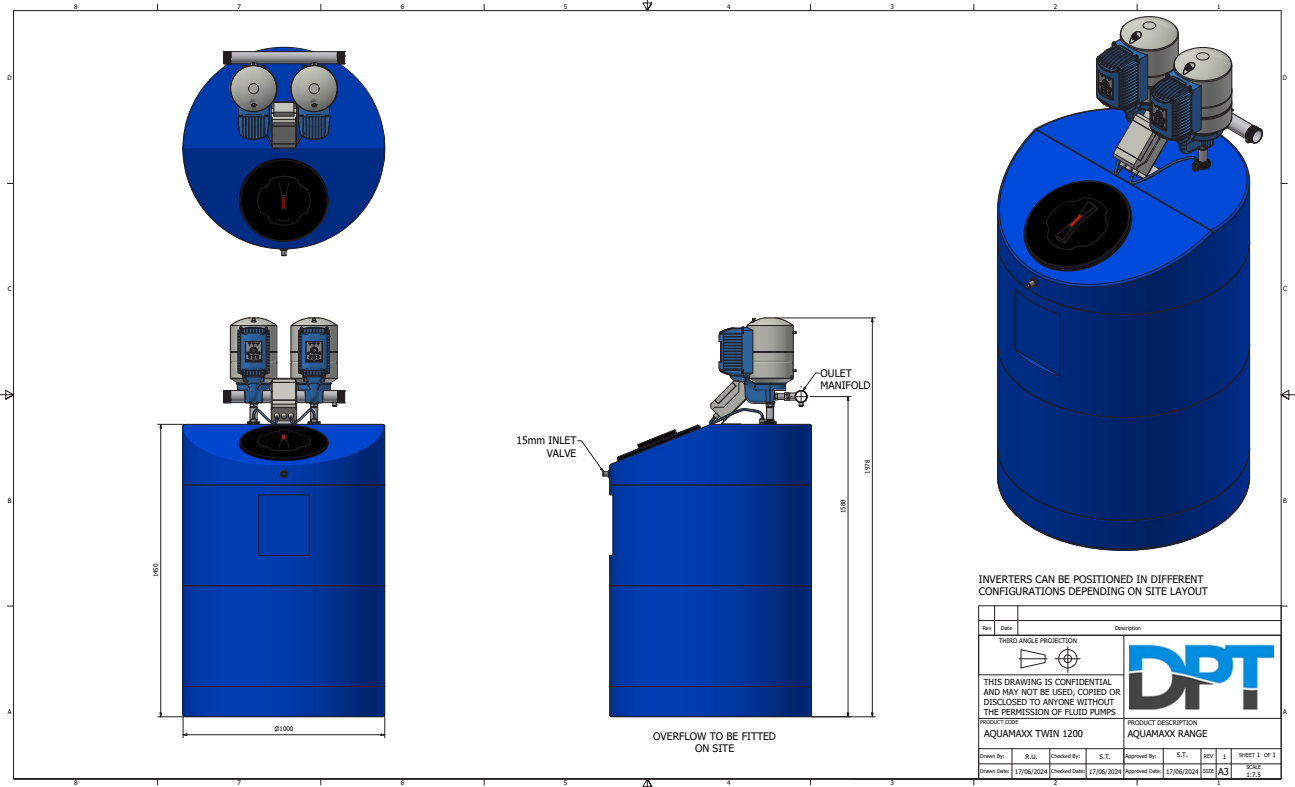
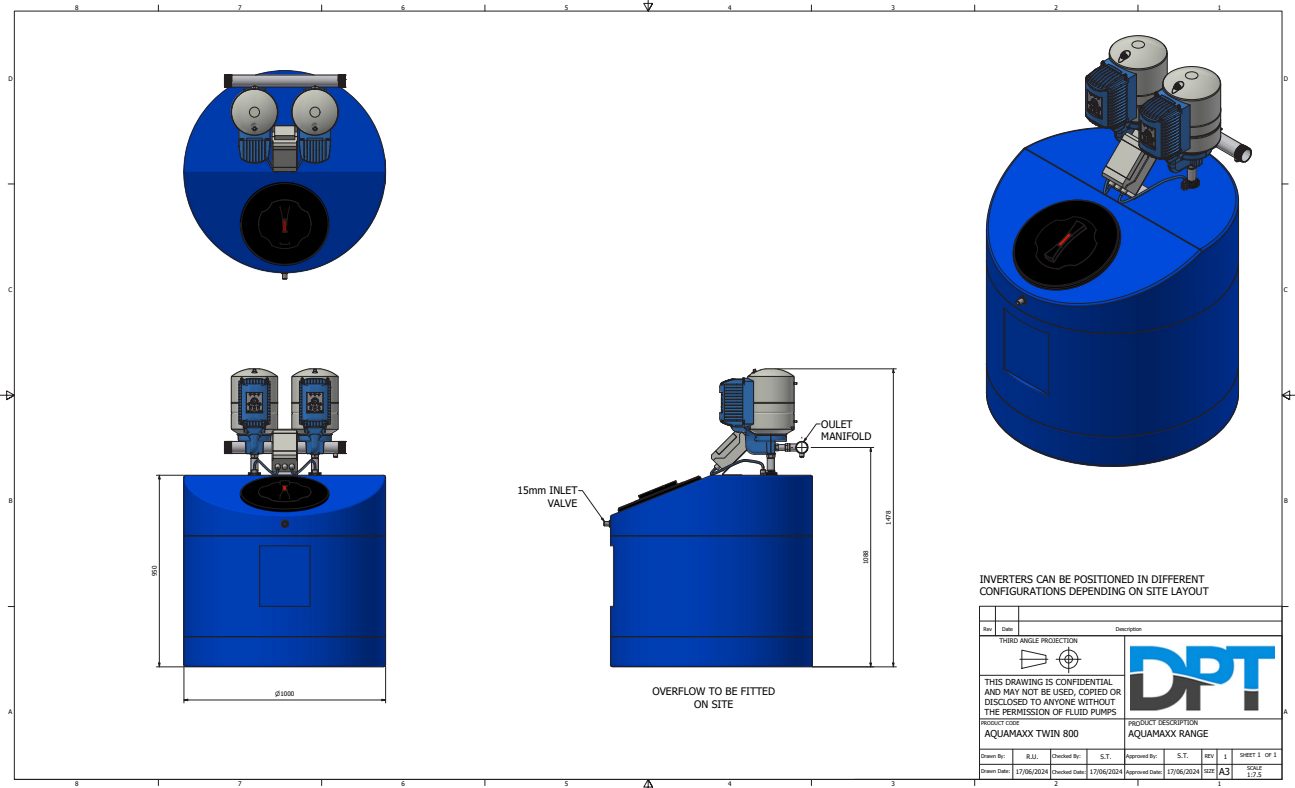
PRODUCT DRAWINGS



PRODUCT DRAWINGS



PRODUCT DRAWINGS





COMMISSIONING & SERVICING

Cold water booster sets require care and maintenance, that's why we offer unmatched support packages and commissioning to compliment your purchase.

- Commissioning
- Call outs
- Scheduled maintenance
- Chlorinations
- Service packages to suit requirements

WHY SERVICE YOUR BOOSTER SET?

An active service agreement vastly reduces the risk of equipment failing by ensuring that your cold water booster set is kept in working condition 24 hours a day.

Our team of highly experienced engineers can spot potential issues before they turn into a problem which could potentially damage your equipment which would lead to higher costs and disruption to your environment.

We'll always remind you when services are due and we'll make sure appointments are booked in well in advance to ensure our duty of care to the customer.

NATIONWIDE COVERAGE

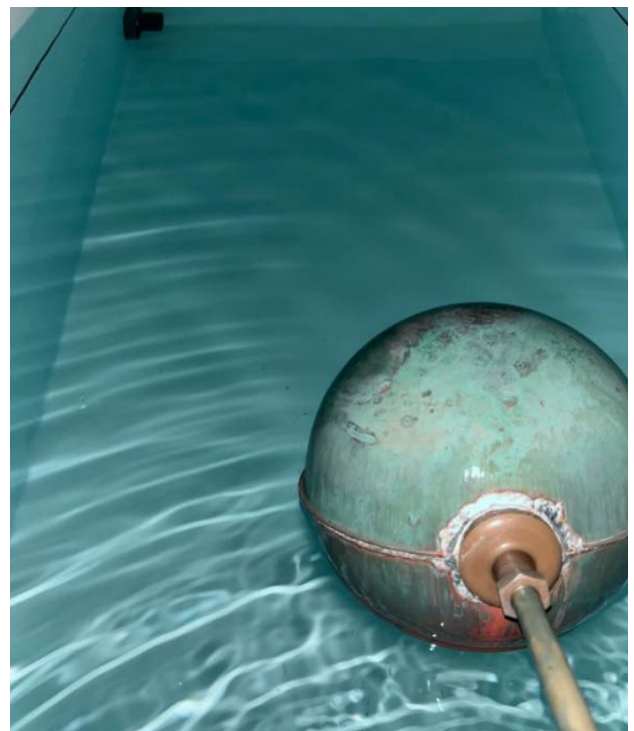
We cover the vast majority of British Isles, this means we have engineers in place to get on-site quickly with the skills required to service your equipment.

All of our engineers are expertly trained and have a wide range of industry leading certifications, so you can be sure that any work is undertaken by a registered professional. Each engineer carries a wide range of tools and replacements to get your system up and running as fast as possible.

COMMISSIONING

It is highly advised to have your new cold water booster set commissioned by a DPT engineer to guarantee the installation has been done correctly. During the commissioning visit a DPT engineer will carry out the following tasks:-

- Set pump parameters
- Electrical connections of pump
- System cycle and test
- Evaluation of installation
- Commissioning certificate upon completion



PLANNED MAINTENANCE

Regular maintenance of your cold water booster set is vital to ensure a long life, it is recommended that you have a yearly service of your equipment.

Each service will incorporate the following checks and adjustments:-

- A detailed inspection of mechanical components
- Full control system functionality check
- System adjustments where needed
- Visual inspection for leaks and operational issues
- Small remedial works where needed
- A full service report detailing all work

PRODUCT WARRANTY

DPT offers a full 1 year warranty on our products for a period of 12 months from the date of invoice.

Upon arrival, your cold booster set will come with a warranty card outlining all terms and conditions.

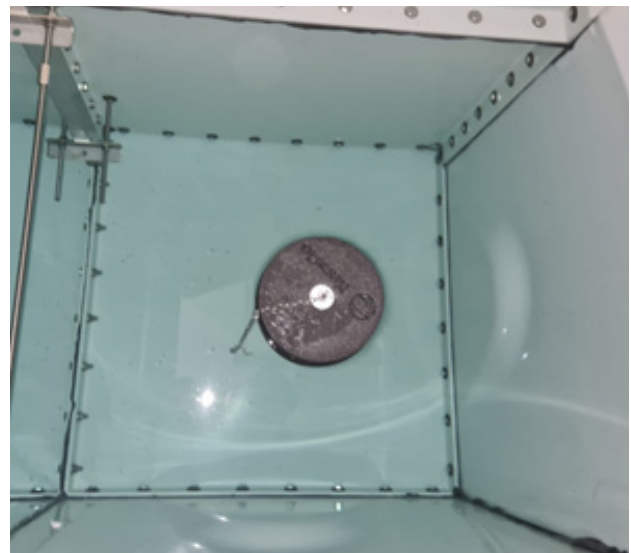
Extended warranties are available through service packages we can provide,

CHLORINATION

Water Utility companies will not allow connection of new water equipment onto their system until the system has been disinfected correctly.

We can provide services to issue certification of disinfection complying with local water authorities own specification to prevent the contamination of the water supply.

The external mains disinfection and chlorination is vital (and mandatory) to maintain the quality of the drinking water supply, this ensures that the water systems are safe to supply potable/wholesome water to outlets for drinking water and showers.



CONTACT DPT

If you would like to know more about this product, the services we offer, or have any questions, please contact us:-

SALES TEAM

0115 9444474 (Option 1)
enquiries@dpandt.co.uk

SERVICE TEAM

0115 9444474 (Option 3)
office@dpandtservices.co.uk

www.directpumpsandtanks.co.uk

DPT

DIRECTPUMPSANDTANKS.CO.UK