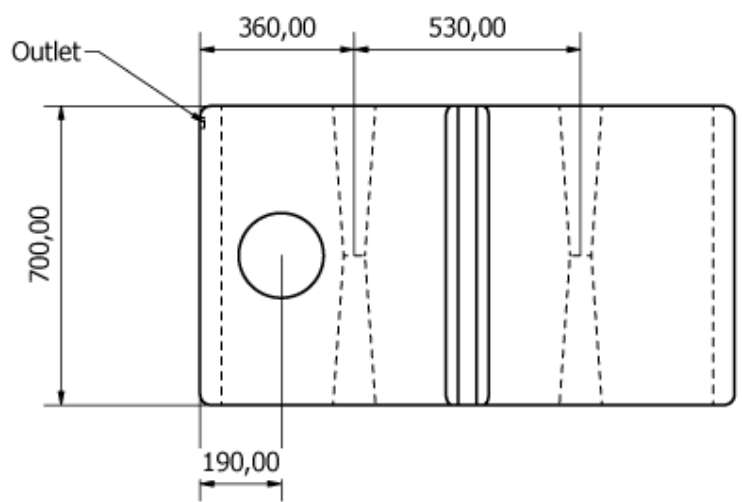
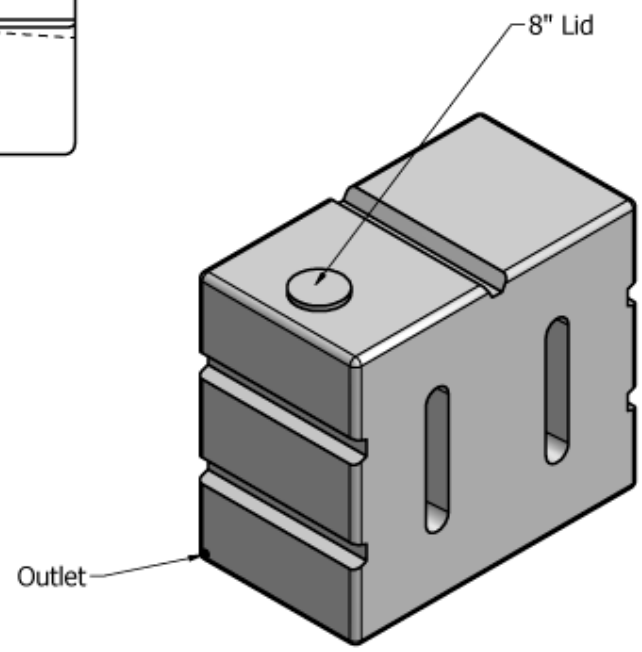
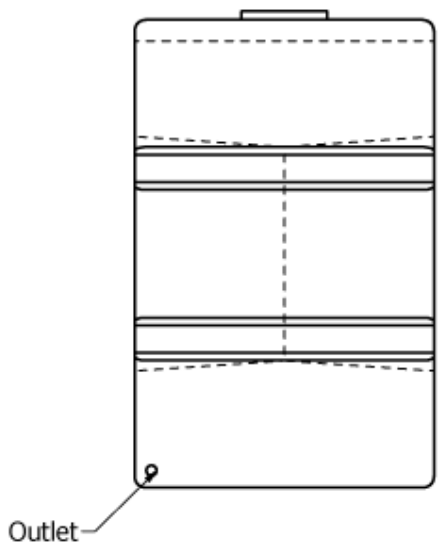
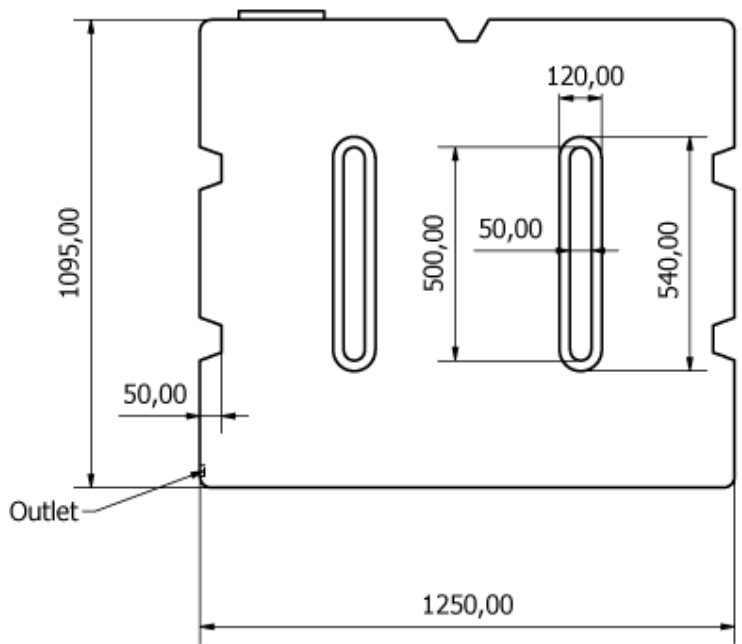


DO NOT SCALE UNLESS STATED - IF IN DOUBT ASK

Material	MDPE
Qty Req'd	



REV	ZONE	DESCRIPTION	DATE