

AQUABOOST

SP2V-10HM06S-VARIFLO-24

The Aquaboost SP2V-10HM06S-VARIFLO-24 booster set utilises WRAS approved components and features two stainless steel multistage pumps mounted on a galvanised steel base plate. The pumps are operated by our advanced variable speed controller and will deliver a nominal flow rate of 10.0 m³/h (Per Pump) and nominal head pressure of up to 5.4 bar.

WRAS & KIWA Regulation 4 approved



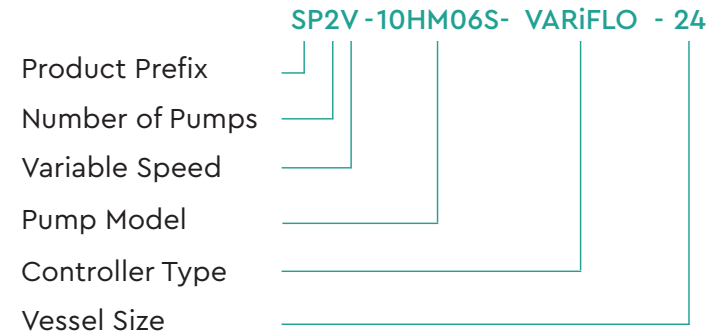
Features

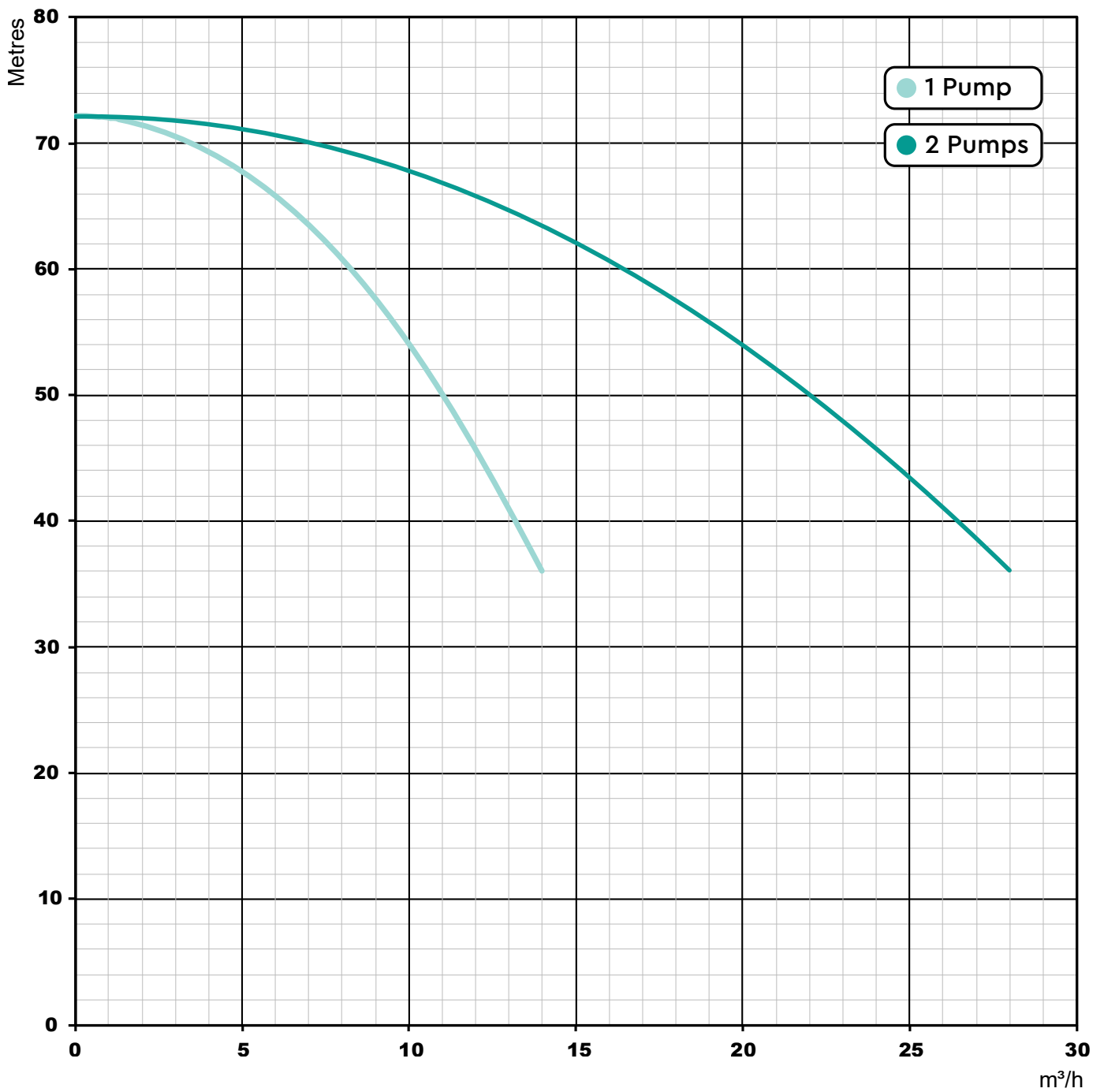
- Flow rates up to 14 m³/h (per pump)
- Head pressure up to 7.2 Bar
- Variable speed pump control
- Duty-assist and duty-standby modes
- WRAS & KIWA Regulation 4 approved
- 304 Stainless Steel (WRAS Approved) Pumps
- 304/316 Stainless steel manifold assembly
- 24 litre pressure vessel with flow through isolation & drain valve
- Air cooled inverters
- BMS Volt free contacts
- External Low Water
- Electronic dry run protection
- AV mounts & Flexible connectors optional

Applications

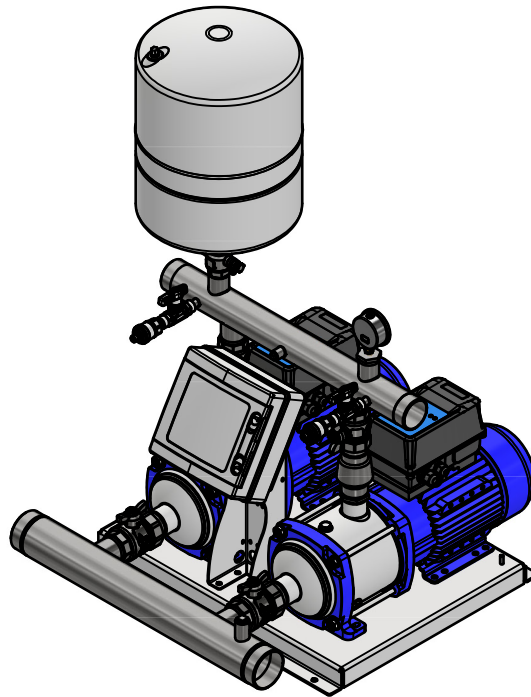
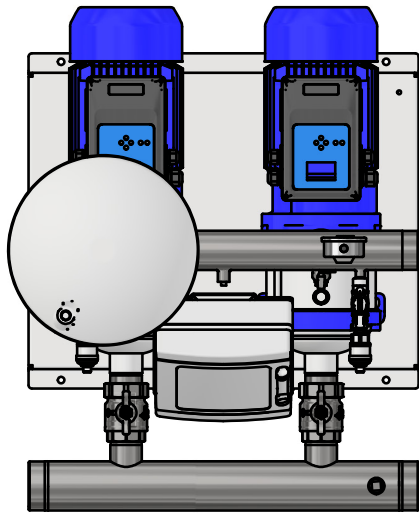
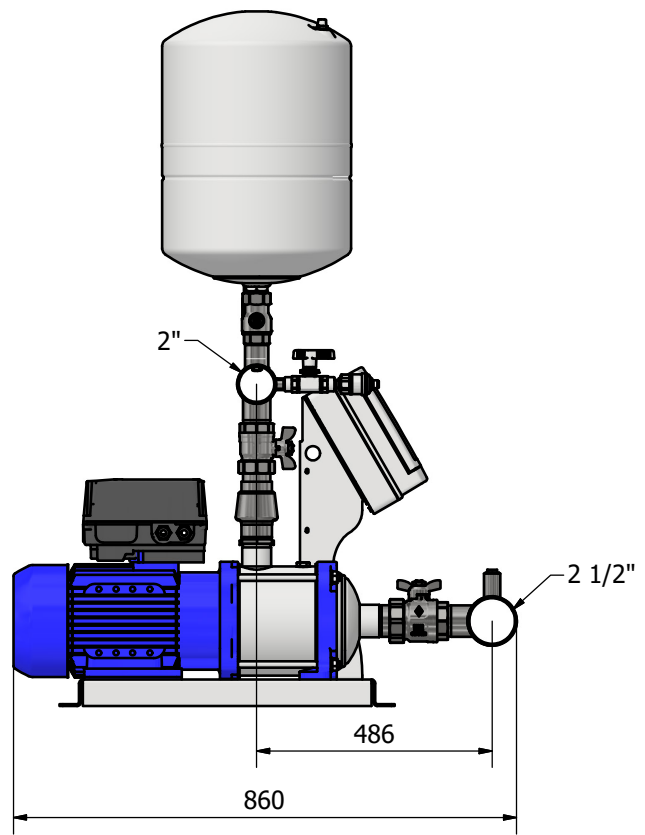
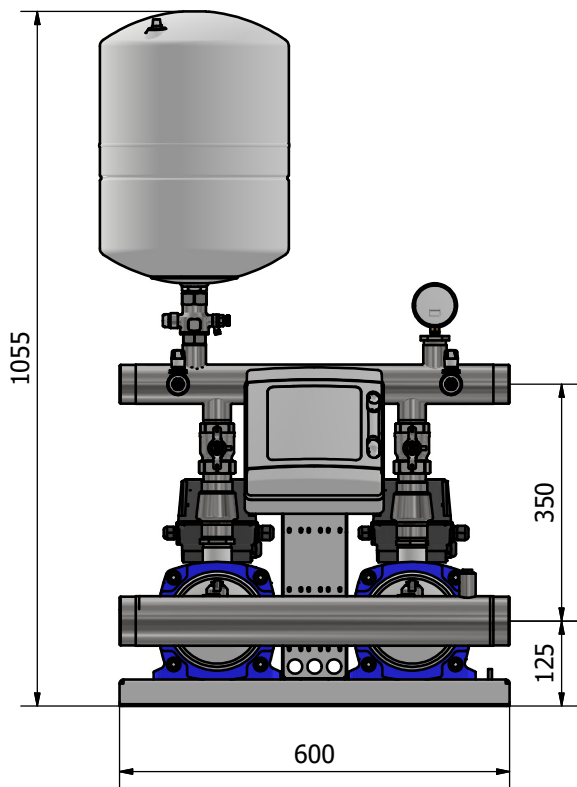
- Cold water pressure and flow boosting in a range of domestic, commercial and industrial applications

Product Code Structure



Pump Characteristic SP2V-10HM06S-VARiFLO-24

| Aquaboost Model | | SP2V-10HM06S-VARIFLO-24 62033 |
|-----------------|--------------------------------------|-------------------------------------|
| General | Warranty | 2 Years |
| | WRAS approval | 241004717 |
| | KIWA approval | Regulation 4 Approved |
| | Conformity certification | CE / UKCA |
| Features | Dry run protection | ✓ |
| | Glycerine filled pressure gauge | ✓ |
| | Pump check valve(s) | ✓ |
| | BMS volt-free contacts | ✓ |
| Performance | Nominal head | 5.4 bar |
| | Maximum head (closed valve) | 7.2 bar |
| | Nominal flow rate | 10 m ³ /h (per pump) |
| | Maximum flow rate | 14 m ³ /h (per pump) |
| | Minimum static inlet pressure | 1 metre |
| | Maximum static inlet pressure | 10 metres |
| | Maximum ambient air temperature | Max 40 °C |
| | Water temperature range | Min 4 °C / Max 23 °C |
| | Maximum working pressure (kPa / bar) | 1000 kPa / 10 bar |
| Connections | Inlet | 2 1/2" BSP |
| | Outlet | 2" BSP |
| Manifold | Manifold construction | Stainless steel |
| | Pump isolation valves | Full bore, lever |
| Pump | Number of pumps | 2 |
| | Pump type | Multistage centrifugal (horizontal) |
| | Pump body | Stainless steel |
| | Impeller | Stainless steel |
| | Mechanical seal | EPDM / Silicon Carbide / Carbon |
| | Motor type | Induction (current overload sensor) |
| | Duty rating | Continuous (S1) |
| Electrical | Power supply / phase / frequency | 230 V / 1 / 50Hz |
| | Power consumption | 2.2 kW (per pump) |
| | Current - full load | 8.6 Amps (per pump) |
| Physical | Enclosure protection | IP55 |
| | Width | 635 mm |
| | Depth | 860 mm |
| | Height | 1055 mm |
| | Weight | 84 kg |



*Please add 32mm to the total height from the base of the pump when AV mounts are used.