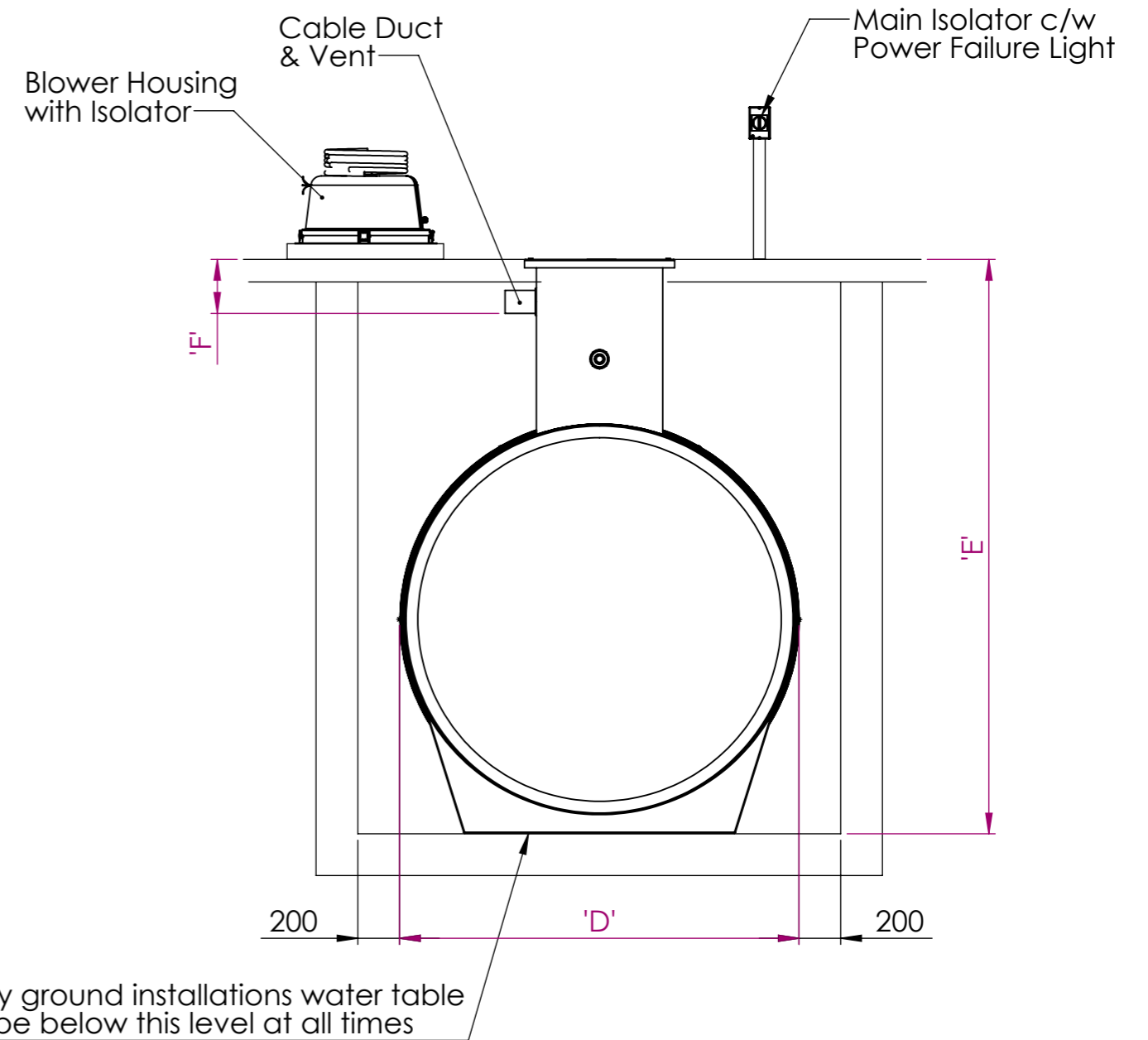
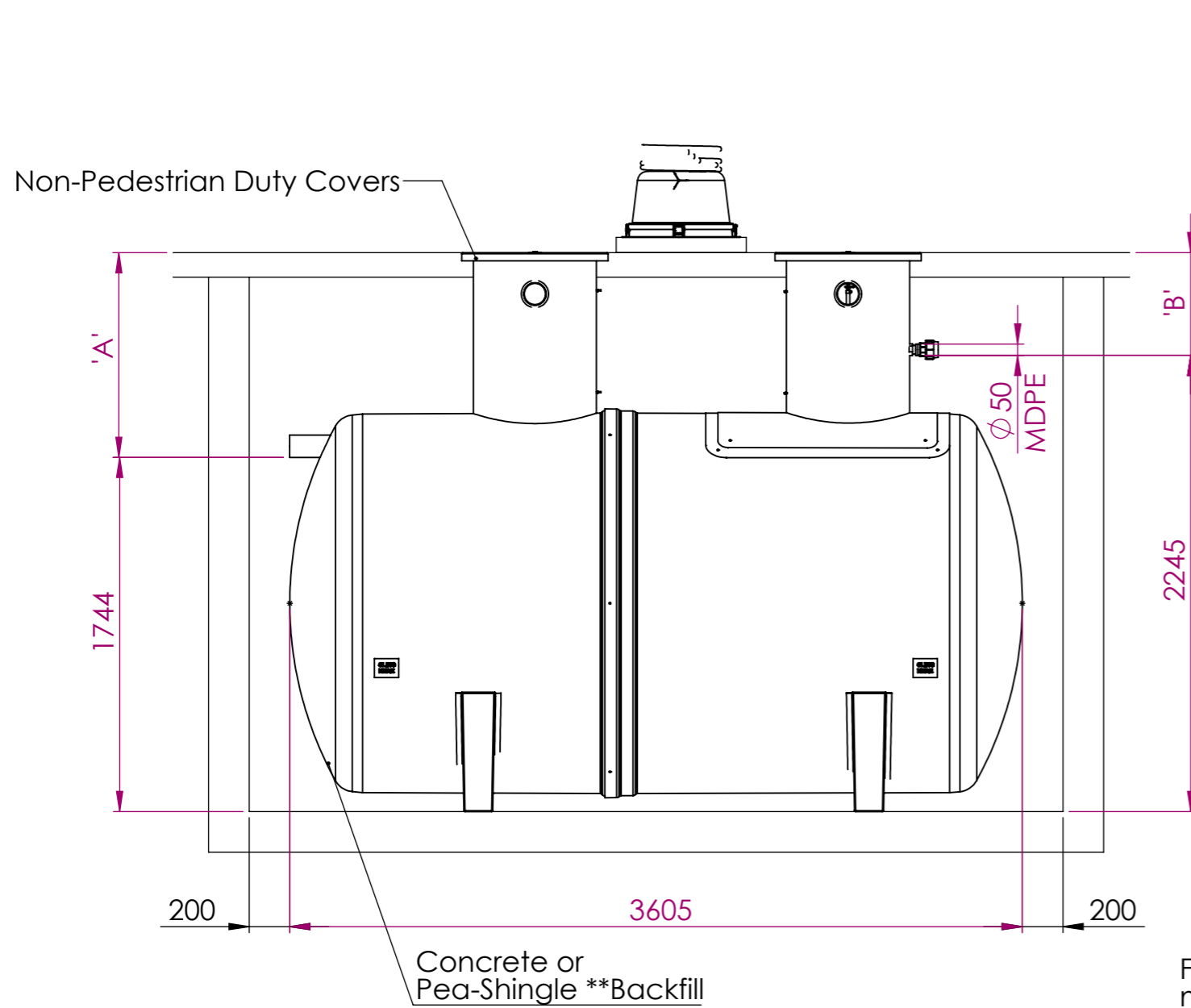


**Notes:**

1. This drawing is for 'Dimensional information Only', it is essential that this drawing is read in conjunction with the 'Installation Guidelines' supplied with the unit. (Copies available from our Sales Department)
2. Inlet pipe is Ø110mm PVCu and Outlet is 50mm MDPE compression fitting
3. Extension neck kit is available for deep inverts up to a maximum invert of 2000mm. See extension neck drawing for assembly details.
4. Blower located inside external housing. Alarm beacon to be fitted to outside of blower housing (if applicable).
5. Vent pipe connection is supplied but vent runs and stacks are supplied by others.
6. Air hose for tank internals is supplied with blower housing and is run through the vent.
7. \*\*Pea -shingle backfill is reliant on use of correct strapping and anchoring.

Unit Ref	A' (mm)	B' (mm)	C' (mm)	D' (mm)	E' (mm)	F' (mm)	G' (mm)	Unit Weight (Kgs)
BIA 5	1000	500	2245	1920	2745	250	110	435
	1500	500	2745	1920	3245	250	110	445
	2000	500	3245	1920	3745	250	110	455



Please check with Kingspan Water & Energy for the latest Issue of the drawing				
Issue	Date	Drawn By	Approved By	Description
01	18/12/24	JMcM	JMcM	ECN 2154 - Initial Issue

LN Number :	Tolerance : +/- 5 mm
Finish : n/a	Thickness : n/a
Weight : Kgs	Surface Area : n/a
Modelled By :	Material : Various

<b>Drawing : DS1504B</b>	Page 1 of 1
BioAir 5 (15PE) IPS Sales Drawing	

All dimensions in mm

Scale: Not to scale

Clearwater reserve the right to alter the details of this drawing without prior notice. This drawing is copyright and may not be reproduced or used without the written permission of Clearwater.

