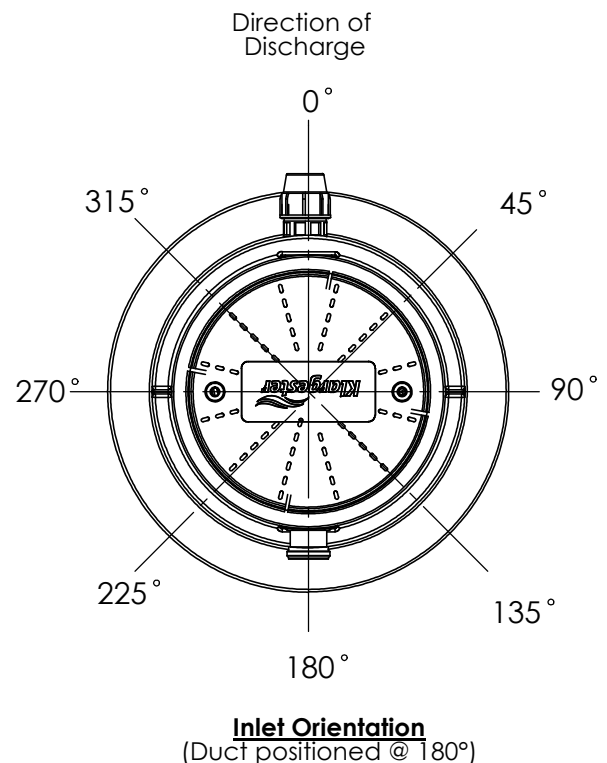
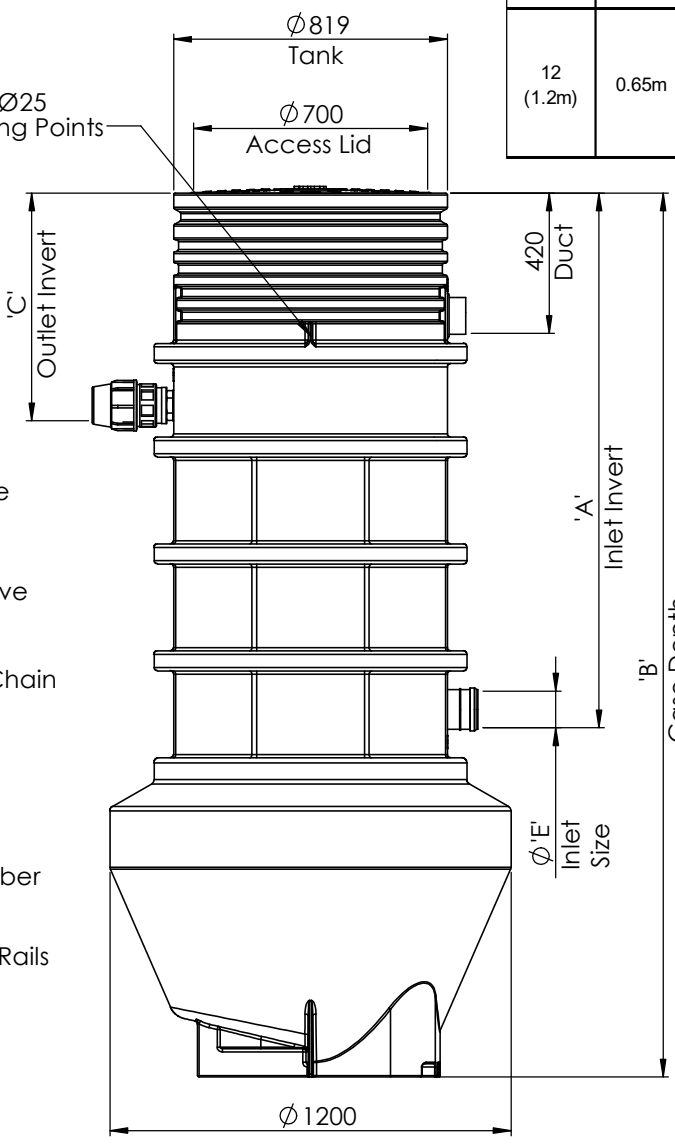
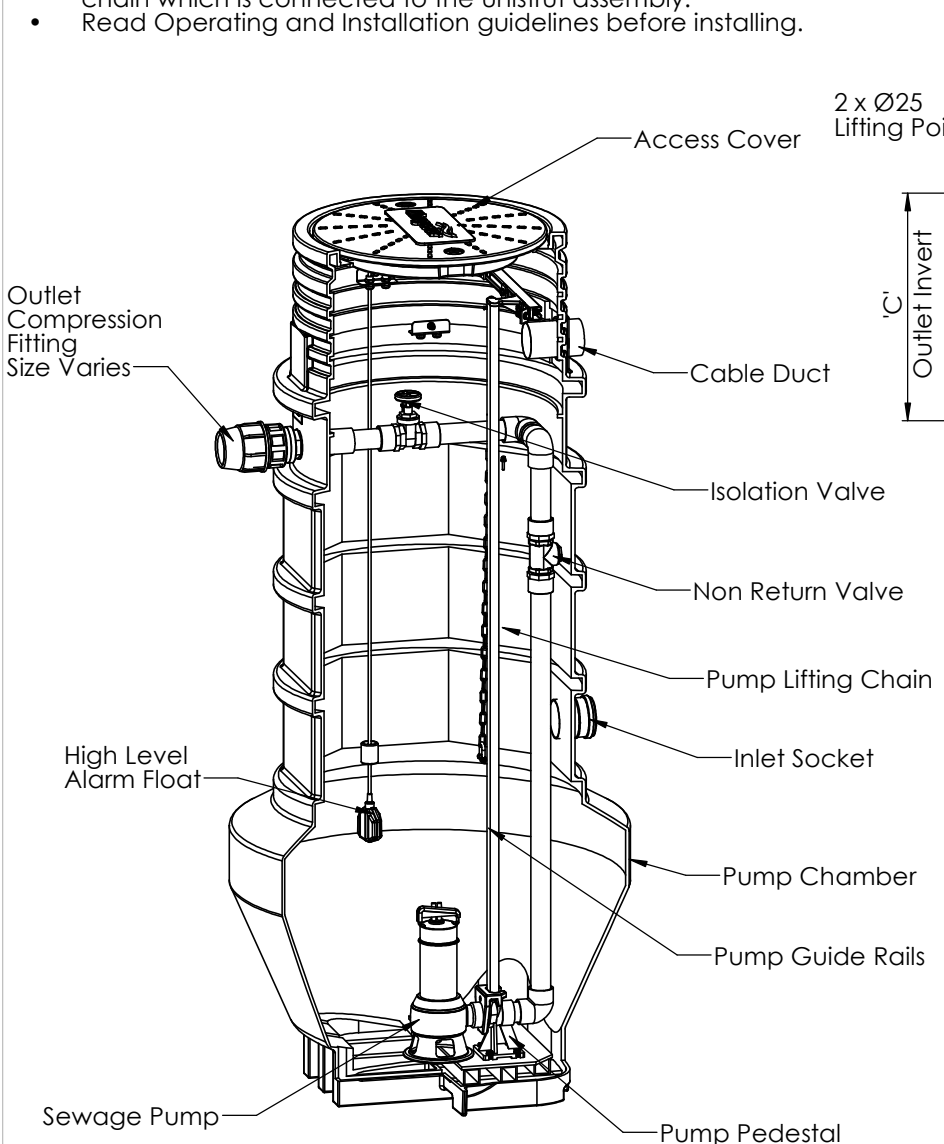


Notes:

- Pumpwell delivered without pump installed. Pump, Control panel & Float switch attached to pallet.
- Pump to be coupled to chains with shackles supplied on lifting chain which is connected to the unistrut assembly.
- Read Operating and Installation guidelines before installing.

Case Ø	Outlet Invert 'C'	Case Depth 'B'			Inlet Invert 'A'			Inlet Size 'E'
		PX5	PX6	PX7	07	10	16	
		17 (1.7m)	20 (2.0m)	26 (2.6m)	0.7m	1.0m	1.6m	
12 (1.2m)	0.65m	•			•			110mm
			•			•		160mm
				•			•	



Please check with Kingspan Water & Energy for the latest Issue of the drawing				
Issue	Date	Drawn By	Approved By	Description
03	14/11/2024	D.Musvaburi	D.M	ECN 2147
02	18/10/2024	D. Musvaburi	D.M	ECN 2128

LN Number :	Tolerance (unless stated) :
Finish :	Thickness :
Weight :	Surface Area : m ²
Modelled By :	Material :

Drawing : DS1485P Page 1 of 1

Ø1.2m PE Single Sewage Pump Chamber

All Dimensions In mm Scale: Do Not Scale



Third Angle Projection

A:\Wastewater\Engineering\Drawing Data\02 - Sales Drawings\DS\DS - 14\DS1485P

Kingspan Water & Energy reserve the right to alter the details of this drawing without prior notice. This drawing is copyright and may not be reproduced or used without the written permission of Kingspan Water & Energy

