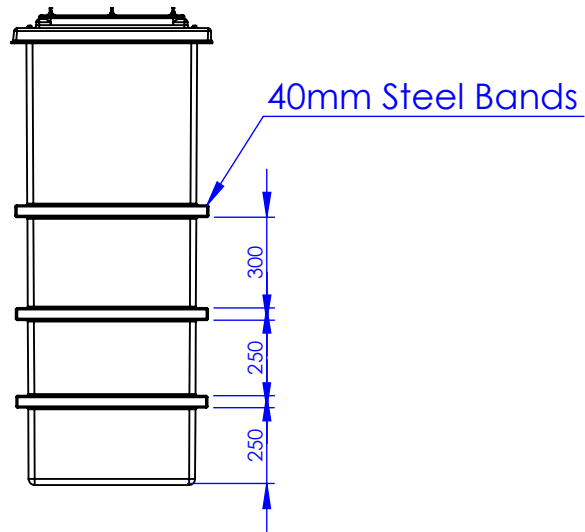
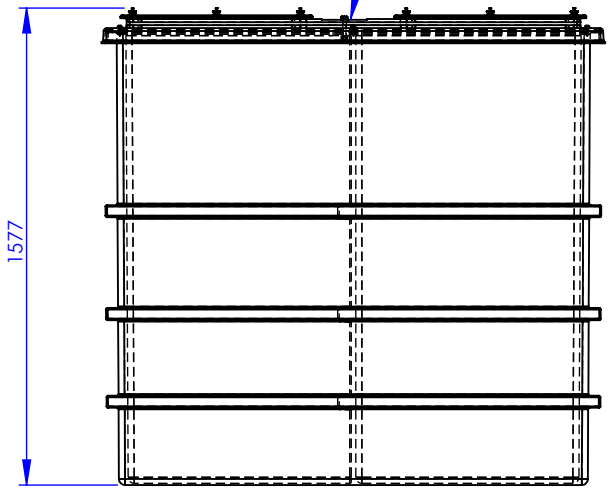


Internal Central Division



TITLE  
PW1125.DIV.AG - TD

DRAWN BY  
D.PRYJMACHUK

DATE  
09/10/2024

**NOTE:**  
All tanks must be fully supported on a flat, level & continuous foundation providing structural support to the tank when full to maximum operating capacity. It is essential that the user refers to the conditions of installation document prior to the installation of the tank. Under no circumstances should the tank body be used to provide support to pipework and ancillary items. The tank lid is a structural part of the tank and must be in place and fitted correctly when water is contained within the tank.

DESCRIPTION:  
PW1125.DIV.AG - TD  
PW1125 Divided cold water storage tank suitable for an AG/AF Air gap

**TANK SPECIFICATION :**

INTERNAL DIMENSIONS	1500 x 500 x 1500mm
EXTERNAL DIMENSIONS	1665 x 665 x 1577mm
NOM. CAPACITY	1125 Litres
DRY WEIGHT	xxx KG
INSULATION THICKNESS	25mm
MATERIAL	GRP

