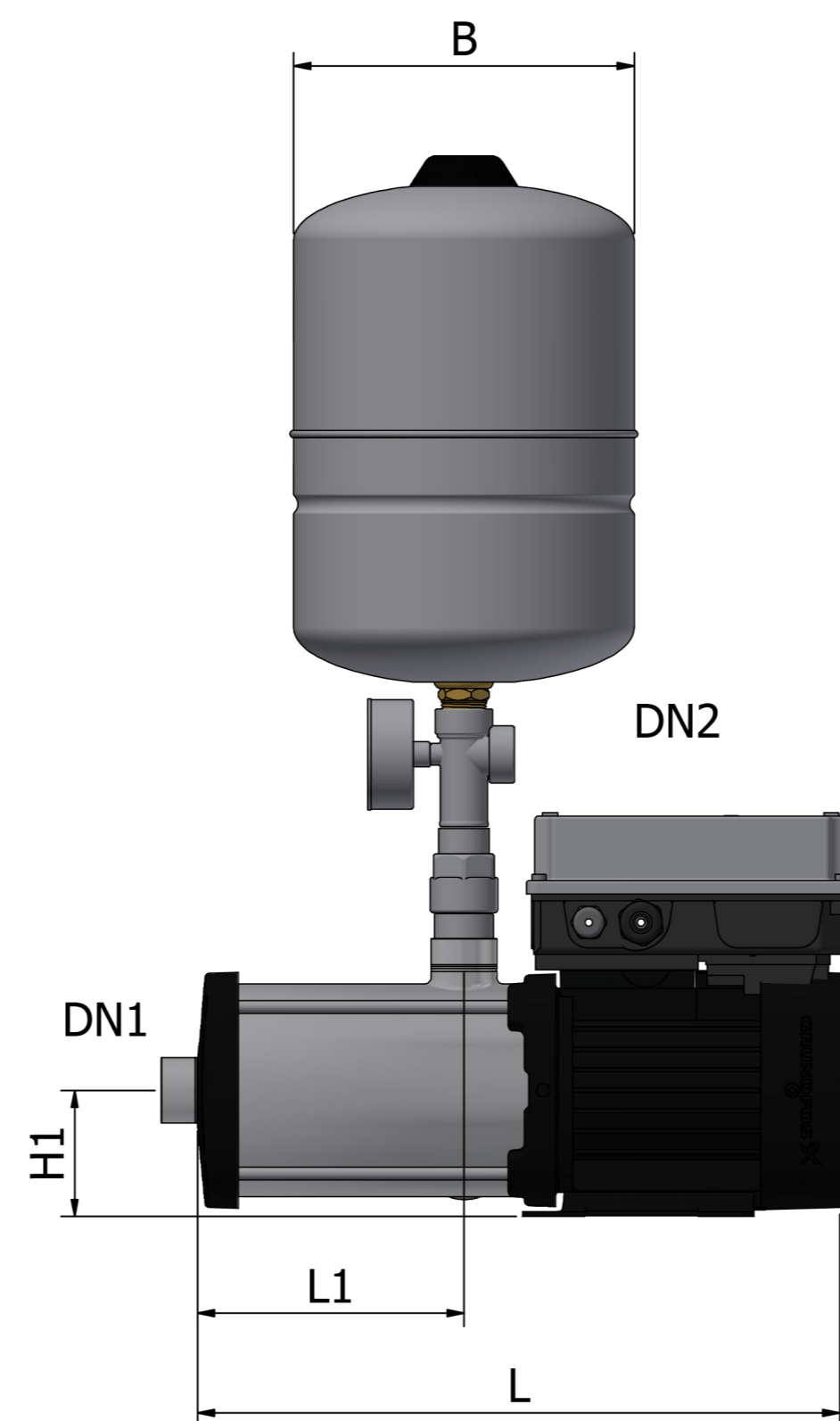
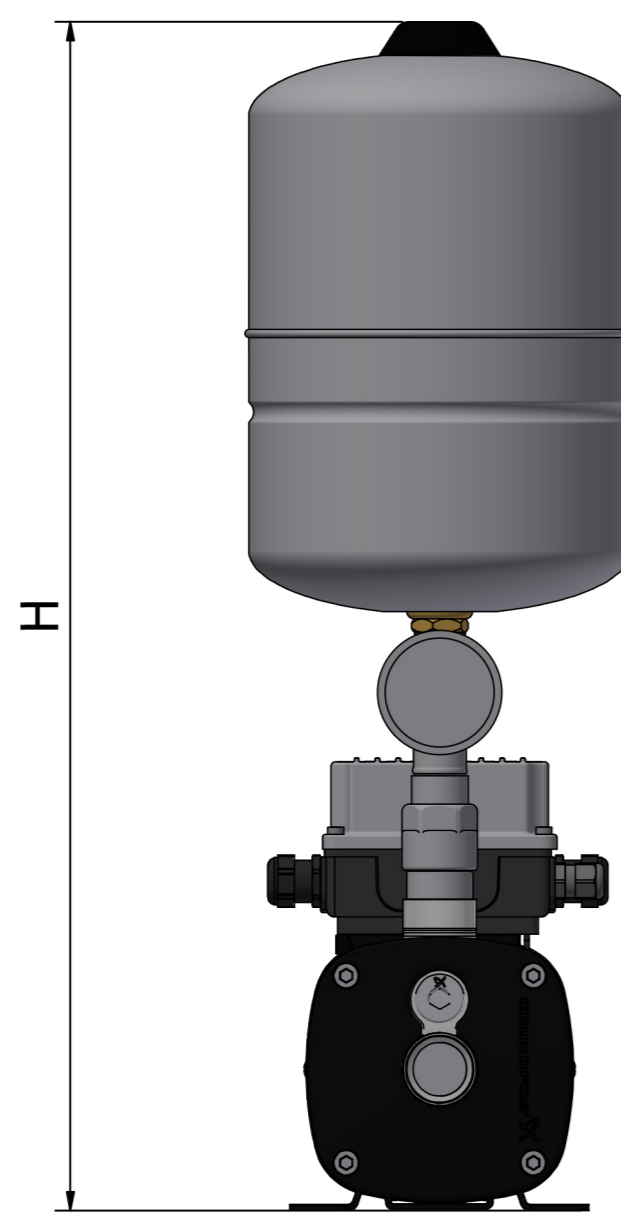

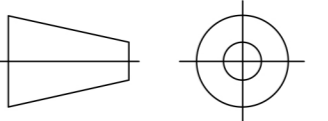


Model Ref	DN1	DN2	B	H	H1	L	Per Pump			
							Power Supply	kW	HP	FLC
1RS3-2/8/GF	1"	1"	300	900	135	609	240V	0.46	0.6	1.2
1RS3-5/8/GF	1"	1"	300	900	135	656	240V	0.6	0.8	1.5
1RS3-6/8/GF	1"	1"	300	900	135	680	240V	0.65	0.9	1.72
1RS3-7/8/GF	1"	1"	300	900	135	704	240V	1.1	1.4	2.6
1RS3-8/8/GF	1"	1"	300	900	135	728	240V	1.1	11.4	2.6
1RS5-2/8/GF	1 1/4"	1"	300	900	135	608	240V	0.46	0.6	1.2
1RS5-5/8/GF	1 1/4"	1"	300	900	135	656	240V	1.1	1.4	2.6
1RS5-7/8/GF	1 1/4"	1"	300	900	135	704	240V	2.2	2.9	3.3
1RS5-8/8/GF	1 1/4"	1"	300	900	135	728	240V	2.2	2.9	3.3
1RS5-9/8/GF	1 1/4"	1"	300	900	135	728	240V	2.2	2.9	3.3
1RS10-2/8/GF	1 1/2"	1 1/4"	300	900	135	627	240V	1.5	1	3.3
1RS10-3/8/GF	1 1/2"	1 1/4"	300	900	135	689	240V	2.2	2.9	4.6



Rev	Date	Description					
THIRD ANGLE PROJECTION							
							
THIS DRAWING IS CONFIDENTIAL AND MAY NOT BE USED, COPIED OR DISCLOSED TO ANYONE WITHOUT THE PERMISSION OF D.P. & T.							PRODUCT DESCRIPTION
PRODUCT CODE 1RS3-2-8-GF							SINGLE SERIES
Drawn By:	R.U.	Checked By:	C.W.	Approved By:	C.W.	REV	1
Drawn Date:	10/09/2024	Checked Date:	10/09/2024	Approved Date:	10/09/2024	SIZE	A3
							SHEET 1 OF 1 SCALE 1/4