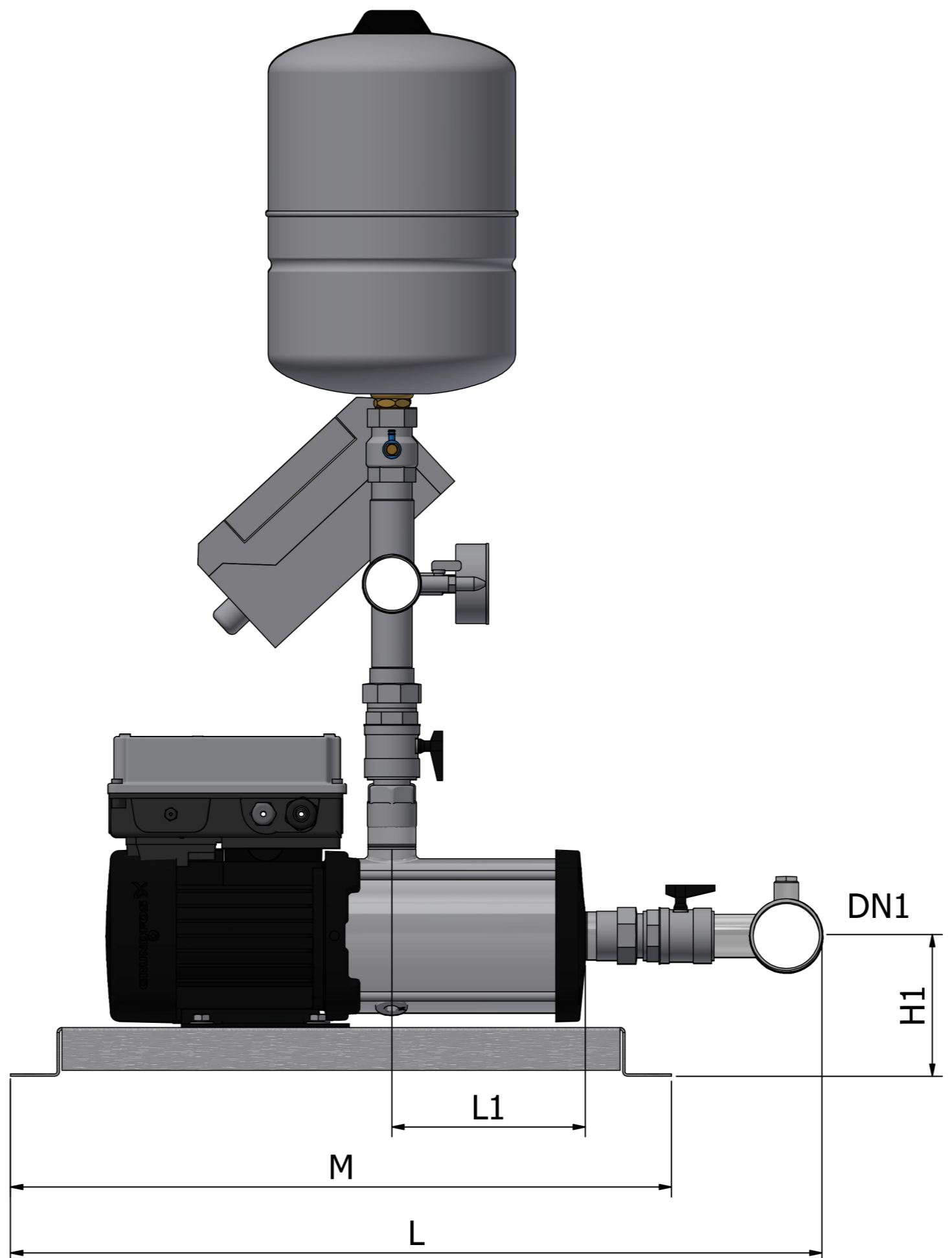
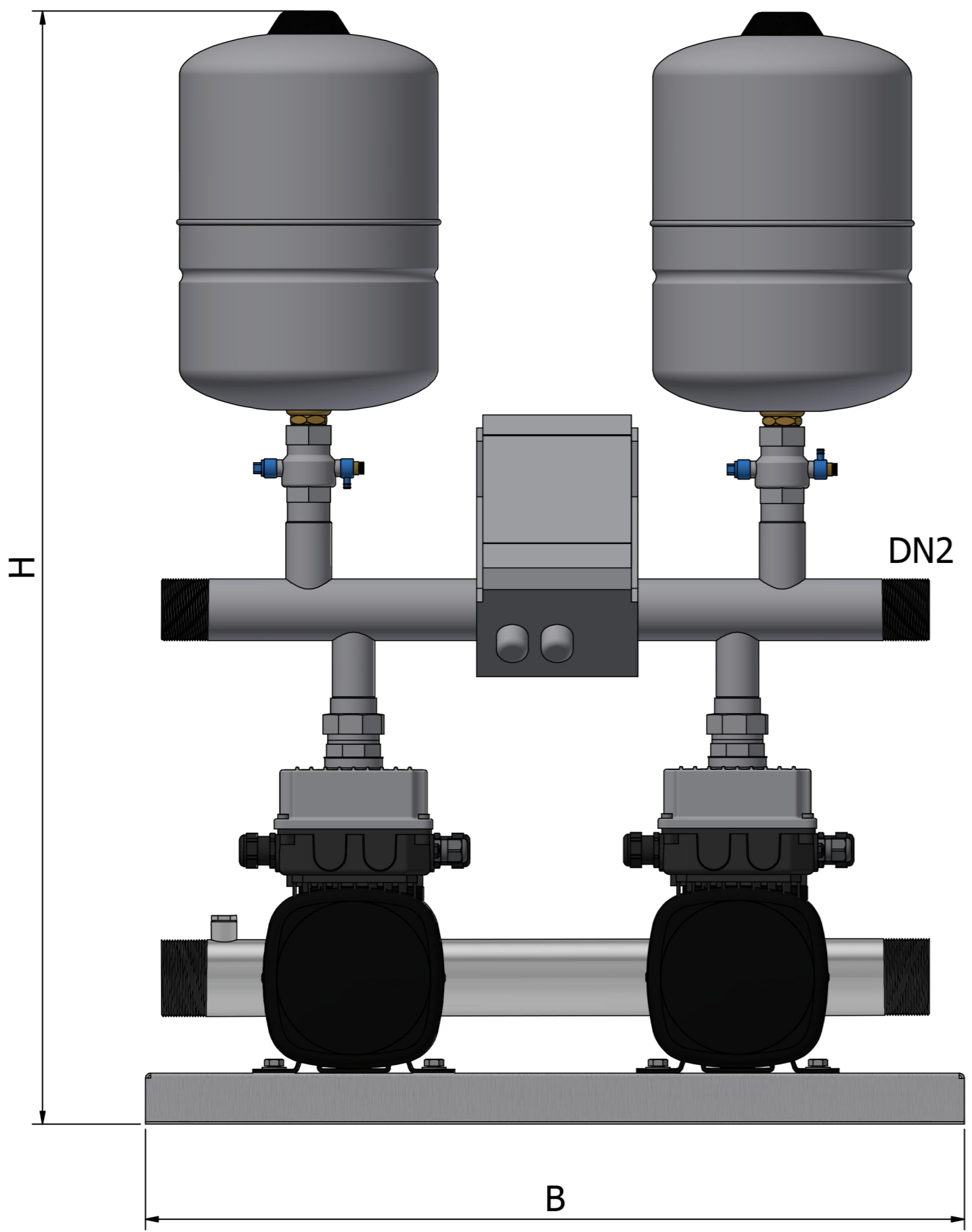
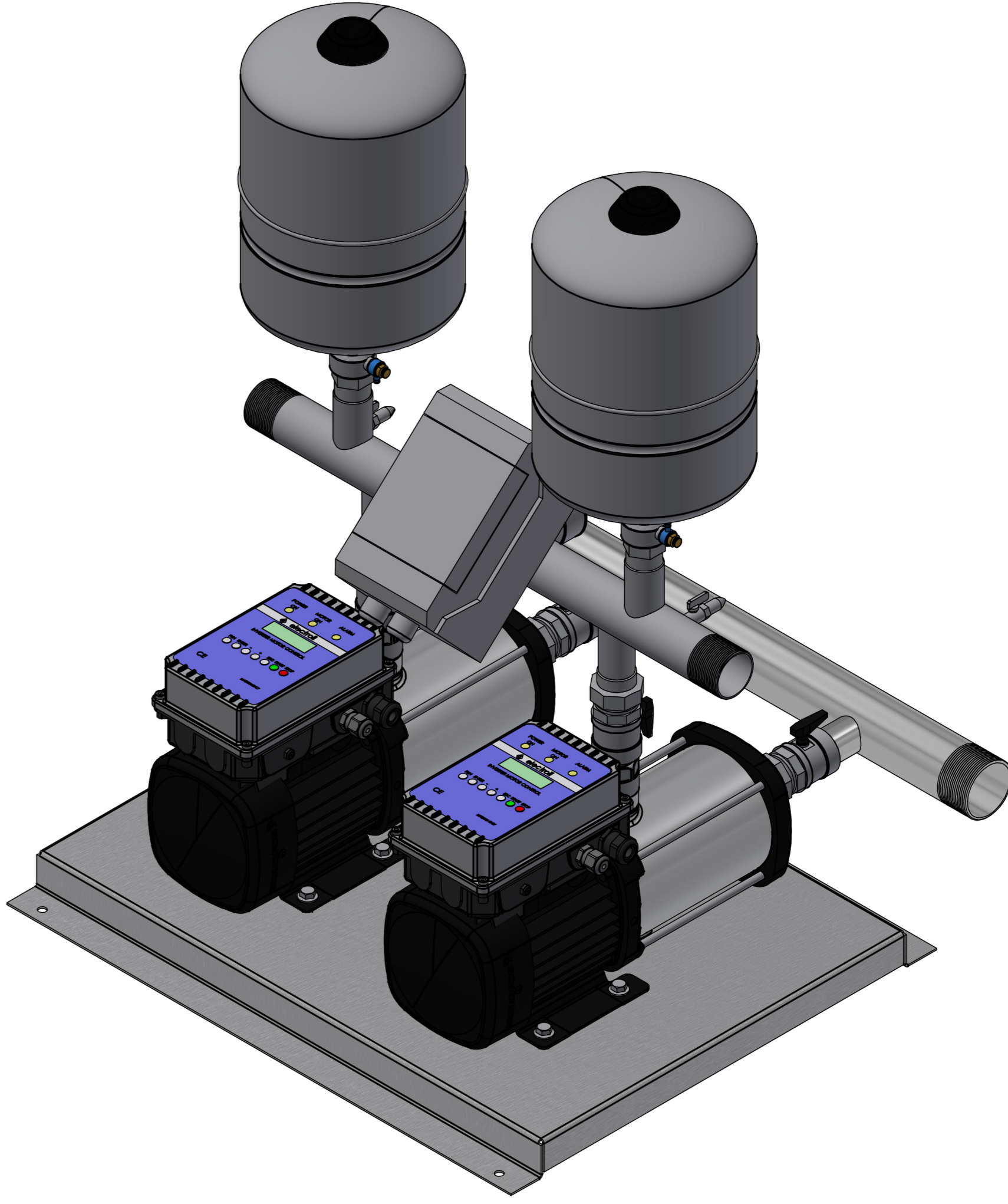


Model Ref	DN1	DN2	B	H	H1	L	M	Per Pump			
								Power Supply	kW	HP	FLC
2RS3-2/8/GF	2"	1 ½"	640	900	135	609	540	240V	0.46	0.6	1.2
2RS3-5/8/GF	2"	1 ½"	640	900	135	656	540	240V	0.6	0.8	1.5
2RS3-6/8/GF	2"	1 ½"	640	900	135	680	540	240V	0.65	0.9	1.72
2RS3-7/8/GF	2"	1 ½"	640	900	135	704	540	240V	1.1	1.4	2.6
2RS3-8/8/GF	2"	1 ½"	640	900	135	728	540	240V	1.1	11.4	2.6
2RS5-2/8/GF	2"	1 ½"	640	900	135	608	540	240V	0.46	0.6	1.2
2RS5-5/8/GF	2"	1 ½"	640	900	135	656	540	240V	1.1	1.4	2.6
2RS5-7/8/GF	2"	1 ½"	640	900	135	704	540	240V	2.2	2.9	3.3
2RS5-8/8/GF	2"	1 ½"	640	900	135	728	540	240V	2.2	2.9	3.3
2RS5-9/8/GF	2"	1 ½"	640	900	135	728	540	240V	2.2	2.9	3.3
2RS10-2/8/GF	2 ½"	2"	640	900	135	627	540	240V	1.5	1	3.3
2RS10-3/8/GF	2 ½"	2"	640	900	135	689	540	240V	2.2	2.9	4.6



Rev	Date	Description					
THIRD ANGLE PROJECTION							
THIS DRAWING IS CONFIDENTIAL AND MAY NOT BE USED, COPIED OR DISCLOSED TO ANYONE WITHOUT THE PERMISSION OF D.P. & T.							PRODUCT CODE 2RS3-2-8-GF
PRODUCT DESCRIPTION TWIN SERIES							PRODUCT DESCRIPTION TWIN SERIES
Drawn By:	R.U.	Checked By:	C.W.	Approved By:	C.W.	REV	1
Drawn Date:	10/09/2024	Checked Date:	10/09/2024	Approved Date:	10/09/2024	SIZE	A3
						SCALE	1:4
						SHEET	1 OF 1