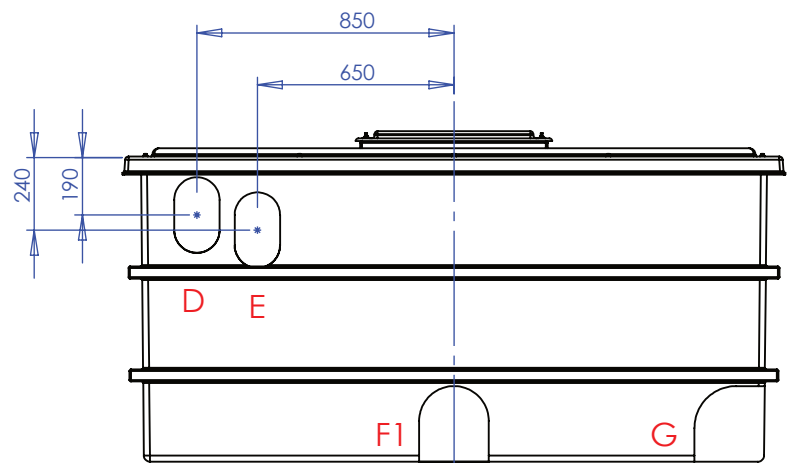
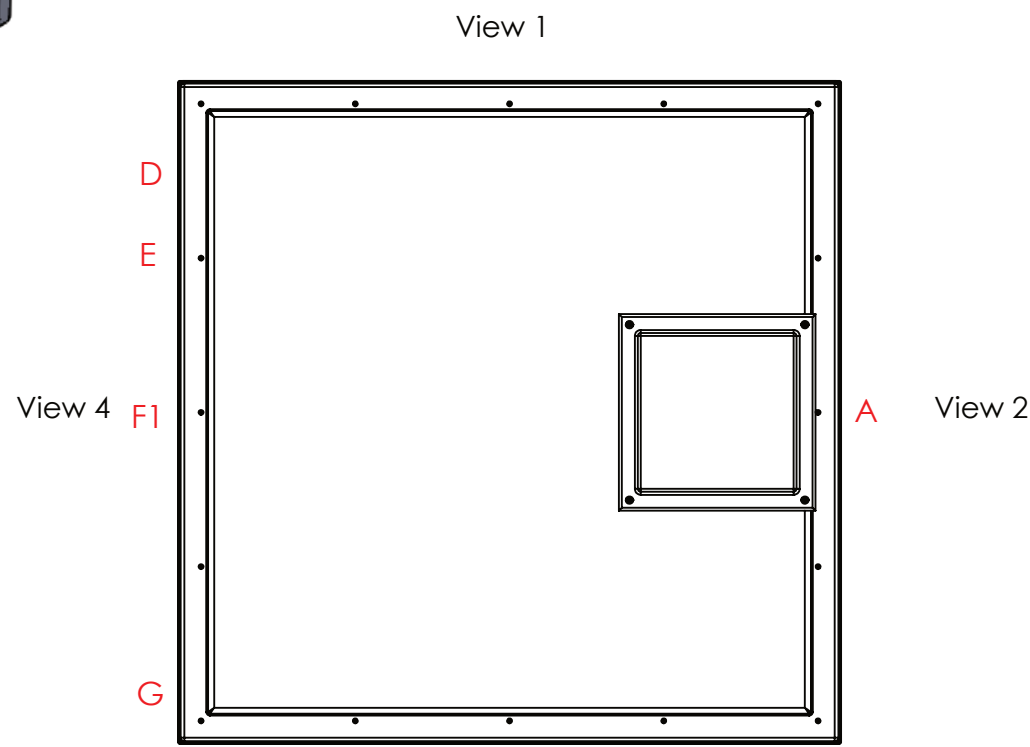
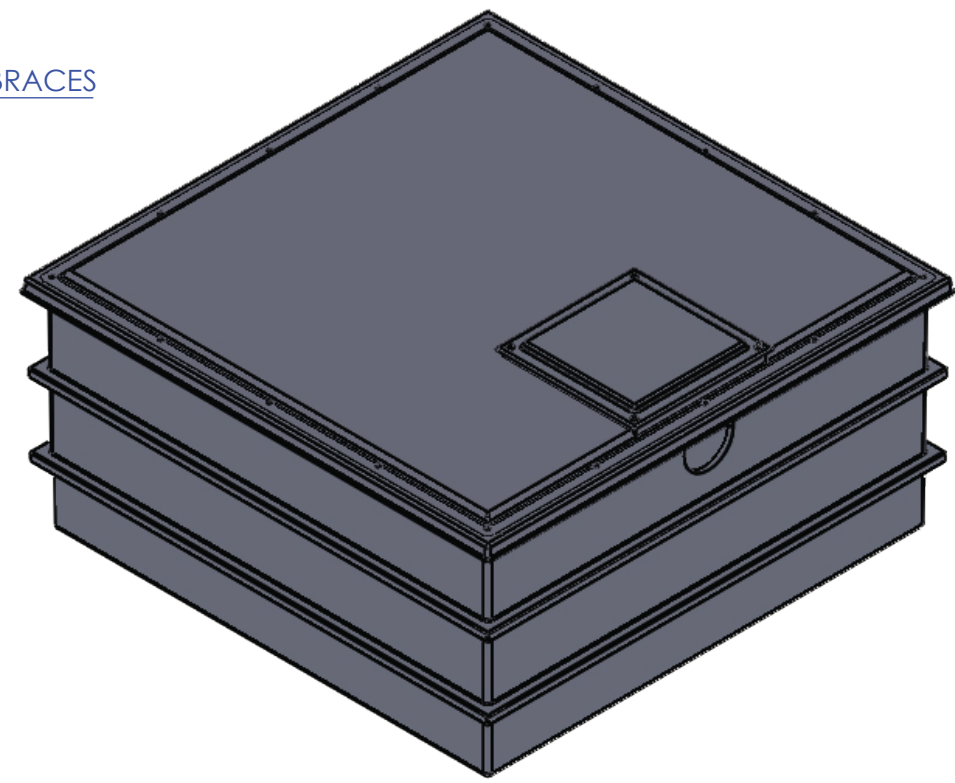
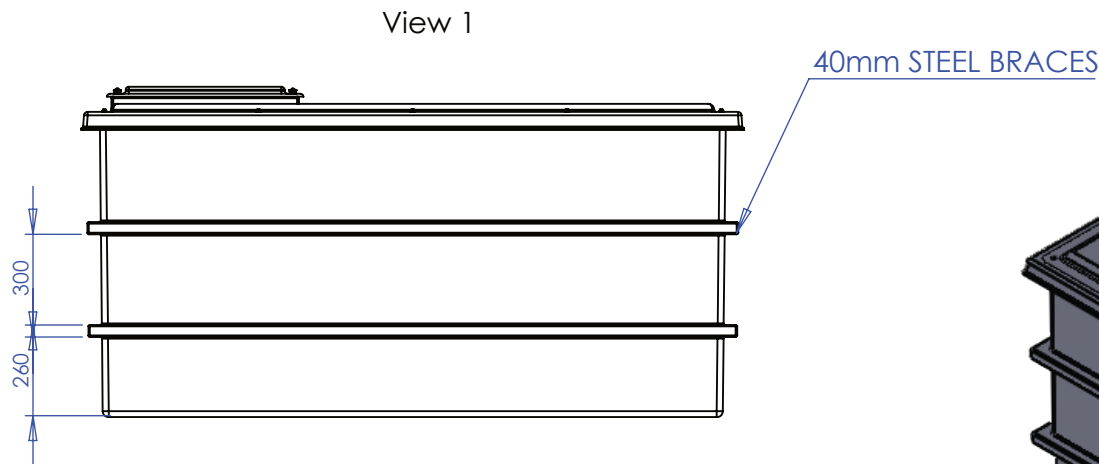
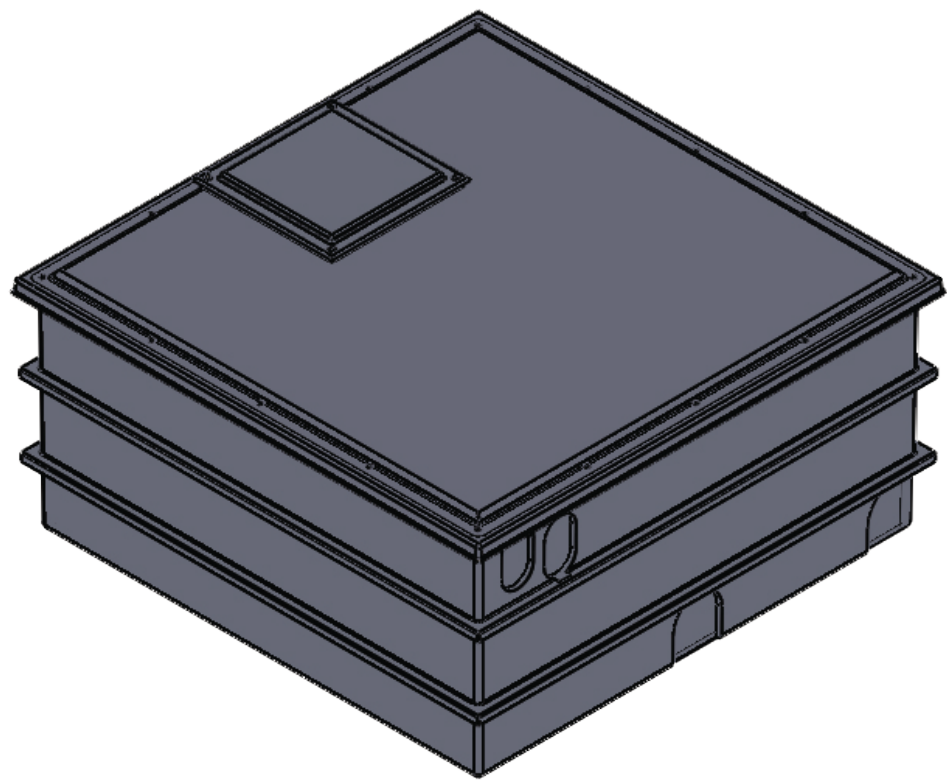


8 7 6 5 4 3 2 1

F E D C B A



View 4

View 3

View 2

View 3

Connections:

A - Inlet	1 No pad T1 only
B - Lid vent	None
D - Overflow	1 No pad T2 only
E - Warning pipe	1 No pad T2 only
F1 - Outlet	1 No pad T1 only
G - Drain	1 No pad T1 only

Drawing Approval Date	
Name	
Signature	
I am signing to approve this drawing to progress my order in the build program. I accept that I cannot cancel this order following my signature of approval.	

RUBBED DOWN BY	PRINT NAME
TITLE	STANDARD POSITIONS
DRAWN BY	D.PRYJMACHUK
DATE	28/03/2024
CUSTOMER	CUSTOMER

**NOTE:**  
All tanks must be fully supported on a flat, level & continuous foundation providing structural support to the tank when full to maximum operating capacity. It is essential that the user refers to the conditions of installation document prior to the installation of the tank. Under no circumstances should the tank body be used to provide support to pipework and ancillary items. The tank lid is a structural part of the tank and must be in place and fitted correctly when water is contained within the tank.

DESCRIPTION:  
**PW4000-AG**

ALL DIMENSIONS IN MM - DO NOT SCALE

NOTES	DATE	VERSION	DESCRIPTION
	20/03/2024	xxx	INTERNAL DIMENSIONS
		xxx	EXTERNAL DIMENSIONS
			NOMINAL CAPACITY
			INSULATION THICKNESS
			STEEL BRACINGS
			ENCAPSULATED BASEBOARD
			TANK COLOUR

**TANK SPECIFICATION :**

INTERNAL DIMENSIONS	2000 x 2000 x 1000mm
EXTERNAL DIMENSIONS	2192 x 2192 x 1093mm
NOMINAL CAPACITY	4000 Litres
INSULATION THICKNESS	25mm
STEEL BRACINGS	40mm STEEL BRACES
ENCAPSULATED BASEBOARD	NONE
TANK COLOUR	GREY - 00A05

**TANKS DIRECT**

SCALE:1:25 SHEET 1 OF 1

8 7 6 5 4 3 2 1

A