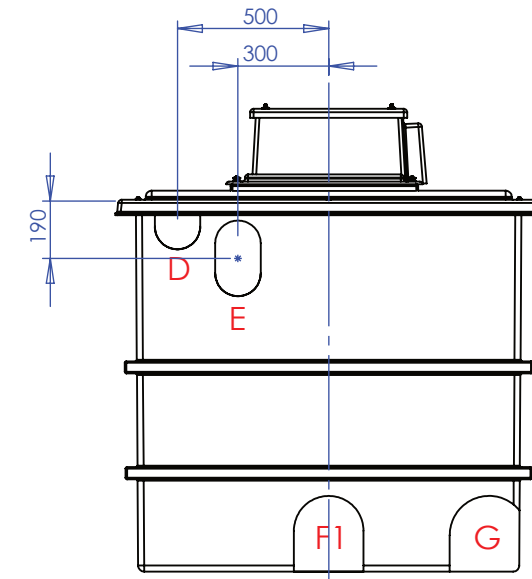


View 4

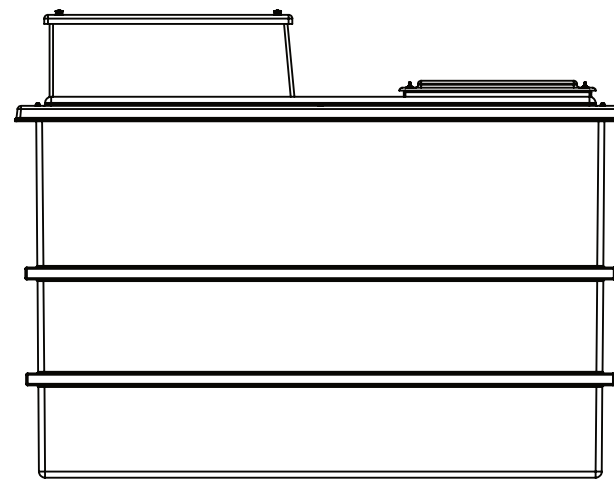
View 1

View 2



View 2

View 3



View 3

Connections:

- A - Inlet
- B - Lid vent
- D - Overflow 1 No pad T6 only
- E - Warning pipe 1 No pad T2 only
- F1 - Outlet 1 No pad T1 only
- G - Drain 1 No pad T1 only
- H - Spillover 1 No SPO3 fitted

Drawing Approval Date	
Name	
Signature	
<p style="font-size: small; color: red;">I am signing to approve this drawing to progress my order in the build program. I accept that I cannot cancel this order following my signature of approval.</p>	

RUBBED DOWN BY	PRINT NAME
TITLE	STANDARD POSITIONS
DRAWN BY	D.PRYJMACHUK
DATE	02/04/2024
CUSTOMER	CUSTOMER

**NOTE:**  
All tanks must be fully supported on a flat, level & continuous foundation providing structural support to the tank when full to maximum operating capacity. It is essential that the user refers to the conditions of installation document prior to the installation of the tank. Under no circumstances should the tank body be used to provide support to pipework and ancillary items. The tank lid is a structural part of the tank and must be in place and fitted correctly when water is contained within the tank.

DESCRIPTION:  
**PW2726.INS.AB4**

ALL DIMENSIONS +/- 5mm UNLESS OTHERWISE STATED

TANK SPECIFICATION :	
INTERNAL DIMENSIONS	1828 X 1220 X 1220mm
EXTERNAL DIMENSIONS	2020 X 1410 X 1560mm
NOMINAL CAPACITY	2726 Litres
INSULATION THICKNESS	25mm
STEEL BRACINGS	40mm STEEL BRACES
ENCAPSULATED BASEBOARD	NONE
TANK COLOUR	GREY - 00A05



SCALE:1:25

SHEET 1 OF 1