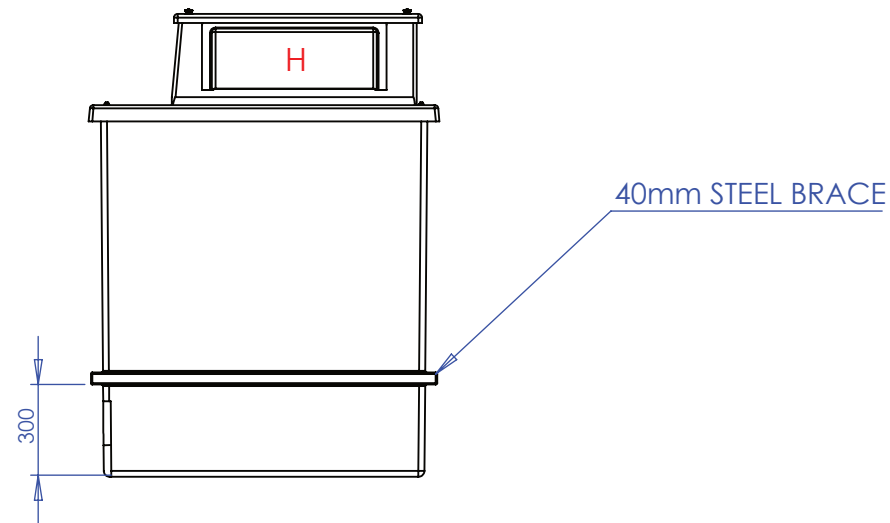
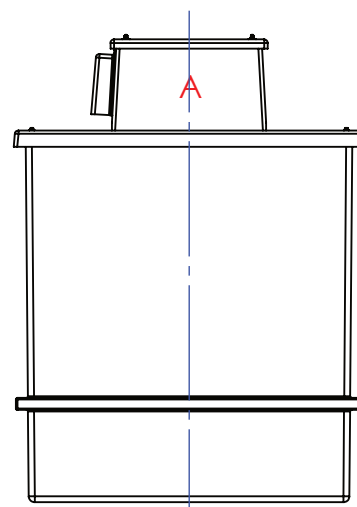


View 1

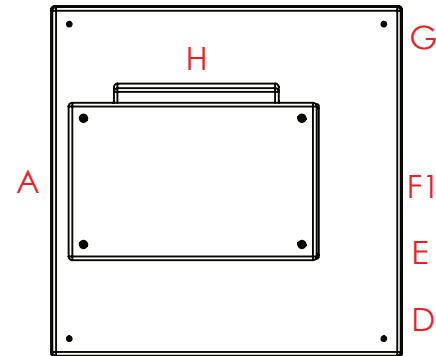


View 1



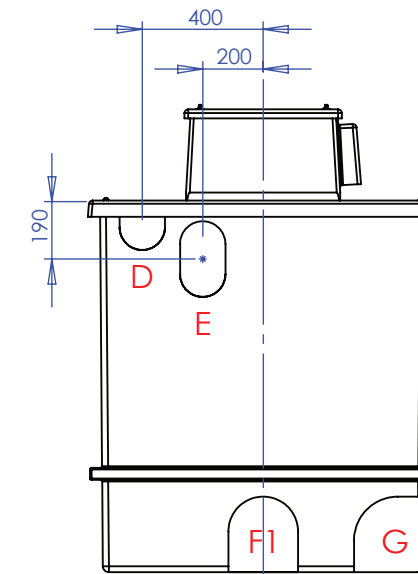
View 4

View 4

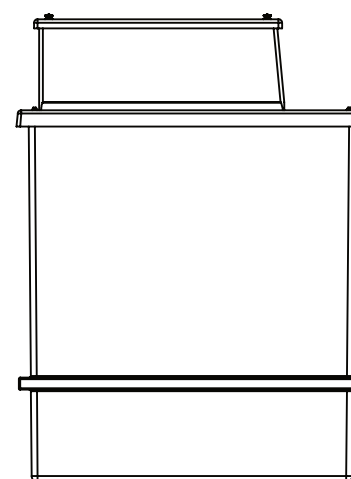


View 3

View 2



View 2



View 3

Connections:

- A - Inlet
- D - Overflow 1 No pad T6 only
- E - Warning pipe 1 No pad T2 only
- F1 - Outlet 1 No pad T1 only
- G - Drain 1 No pad T1 only
- H - Spillover 1 No SPO3 fitted

| | |
|-----------------------|--|
| Drawing Approval Date | |
| Name | |
| Signature | |

I am signing to approve this drawing to progress my order in the build program. I accept that I cannot cancel this order following my signature of approval.

| | |
|----------------|--------------------|
| RUBBED DOWN BY | PRINT NAME |
| TITLE | STANDARD POSITIONS |
| DRAWN BY | D.PRYJMACHUK |
| DATE | 03/04/2024 |
| CUSTOMER | CUSTOMER |

NOTE:
All tanks must be fully supported on a flat, level & continuous foundation providing structural support to the tank when full to maximum operating capacity. It is essential that the user refers to the conditions of installation document prior to the installation of the tank. Under no circumstances should the tank body be used to provide support to pipework and ancillary items. The tank lid is a structural part of the tank and must be in place and fitted correctly when water is contained within the tank.

ALL DIMENSIONS +/- 5mm UNLESS OTHERWISE STATED

DESCRIPTION:
PW1220.INS.AB4

ALL DIMENSIONS IN MM - DO NOT SCALE

| NOTES | DATE | 13/03/2024 |
|-------------|------|------------|
| FIRST ISSUE | xxx | |
| VERSION | xxx | |

| TANK SPECIFICATION : | |
|------------------------|----------------------|
| INTERNAL DIMENSIONS | 1000 X 1000 X 1220mm |
| EXTERNAL DIMENSIONS | 1180 X 1180 X 1560mm |
| NOMINAL CAPACITY | 1220 Litres |
| INSULATION THICKNESS | 25mm |
| STEEL BRACINGS | 40mm STEEL BRACE |
| ENCAPSULATED BASEBOARD | NONE |
| TANK COLOUR | GREY - 00A05 |



SCALE:1:25

SHEET 1 OF 1