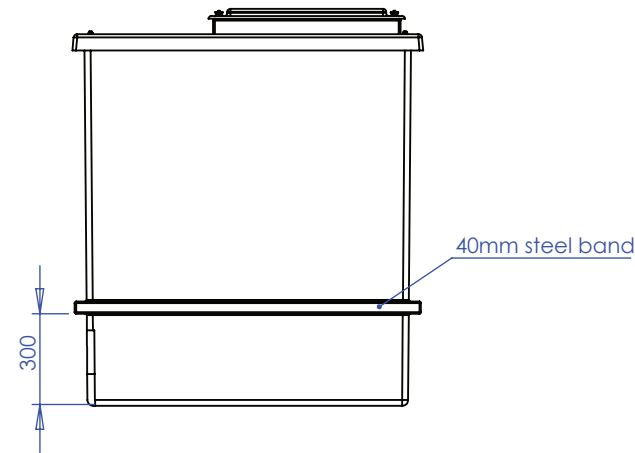
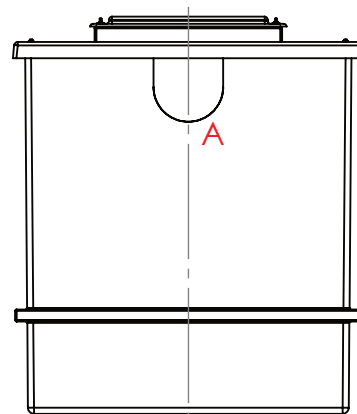


View 1

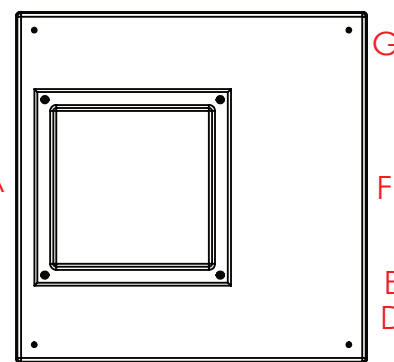


View 1



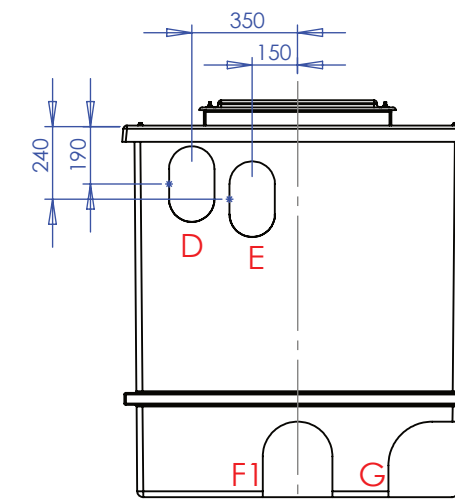
View 4

View 4

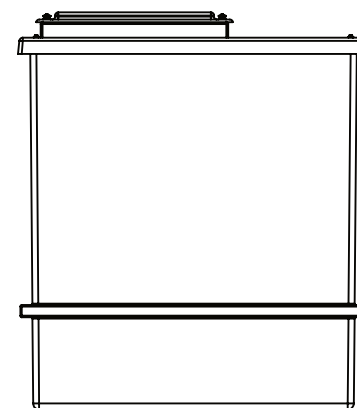


View 3

View 2



View 2



View 3

Connections:

A - Inlet	1 No pad T1 only
B - Lid vent	None
D - Overflow	1 No pad T2 only
E - Warning pipe	1 No pad T2 only
F1 - Outlet	1 No pad T1 only
G - Drain	1 No pad T1 only

Drawing Approval Date	
Name	
Signature	
<p>I am signing to approve this drawing to progress my order in the build program. I accept that I cannot cancel this order following my signature of approval.</p>	

RUBBED DOWN BY	PRINT NAME
----------------	------------

TITLE	
STANDARD POSITIONS	
DRAWN BY	DATE
C. LARKIN	31/01/2024
CUSTOMER	CUSTOMER

NOTE:
All tanks must be fully supported on a flat, level & continuous foundation providing structural support to the tank when full to maximum operating capacity. It is essential that the user refers to the conditions of installation document prior to the installation of the tank. Under no circumstances should the tank body be used to provide support to pipework and ancillary items. The tank lid is a structural part of the tank and must be in place and fitted correctly when water is contained within the tank.

ALL DIMENSIONS +/- 5mm UNLESS OTHERWISE STATED

DESCRIPTION:

PW1220.AG

ALL DIMENSIONS IN MM - DO NOT SCALE

NOTES	DATE	31/01/2024
FIRST ISSUE	xxx	
VERSION	xxx	
TANK SPECIFICATION :		
INTERNAL DIMENSIONS	1000 x 1000 x 1220mm	
EXTERNAL DIMENSIONS	1180 x 1180 x 1312mm	
NOMINAL CAPACITY	1220 Litres	
INSULATION THICKNESS	25mm	
STEEL BRACINGS	1 No steel band	
ENCAPSULATED BASEBOARD	None	
TANK COLOUR	GREY - 00A05	



SCALE:1:25

SHEET 1 OF 1