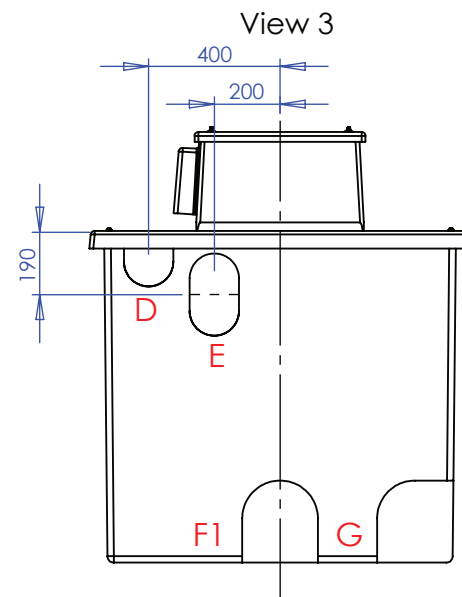


View 4

View 4

View 2

View 2



View 3

Connections:

- A - Inlet
- D - Overflow 1 No pad T6, only.
- E - Warning pipe 1 No pad T2, only.
- F1 - Outlet 1 No pad T1, only
- G - Drain 1 No pad T1, only
- H - Spillover 1 No SPO3 fitted to chamber.

Drawing Approval Date	
Name	
Signature	
<p style="color: red; font-size: small;">I am signing to approve this drawing to progress my order in the build program. I accept that I cannot cancel this order following my signature of approval.</p>	

RUBBED DOWN BY	PRINT NAME
----------------	------------

TITLE	
STANDARD POSITIONS	
DRAWN BY	DATE
D.PRYJMACHUK	29/04/2024
CUSTOMER	CUSTOMER

NOTE:
All tanks must be fully supported on a flat, level & continuous foundation providing structural support to the tank when full to maximum operating capacity. It is essential that the user refers to the conditions of installation document prior to the installation of the tank. Under no circumstances should the tank body be used to provide support to pipework and ancillary items. The tank lid is a structural part of the tank and must be in place and fitted correctly when water is contained within the tank.

ALL DIMENSIONS +/- 5mm UNLESS OTHERWISE STATED

DESCRIPTION:

PW1000-AB4

ALL DIMENSIONS IN MM - DO NOT SCALE

NOTES	DATE	TANK SPECIFICATION :	
	17/04/2023	INTERNAL DIMENSIONS	1000 x 1000 x 1000mm
FIRST ISSUE	xxx	EXTERNAL DIMENSIONS	1180 x 1180 x 1340mm
VERSION	xxx	NOMINAL CAPACITY	1000 Litres
		INSULATION THICKNESS	25mm
		STEEL BRACINGS	NONE
		ENCAPSULATED BASEBOARD	NONE
		TANK COLOUR	GREY - 00A05



SCALE:1:23

SHEET 1 OF 1