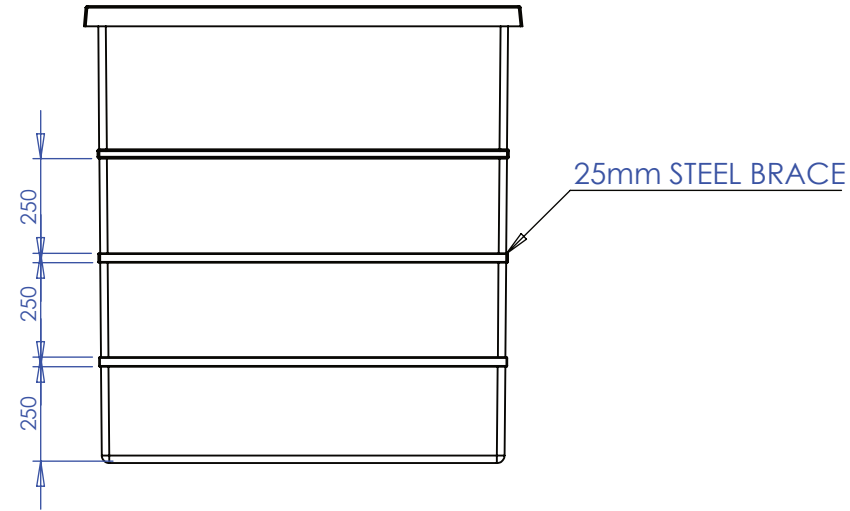
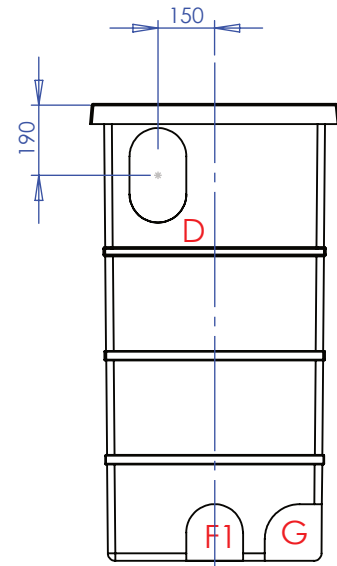


View 1



25mm STEEL BRACE



View 4

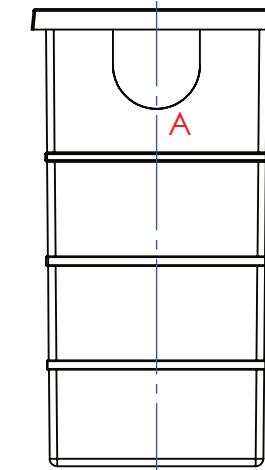
View 1

View 4



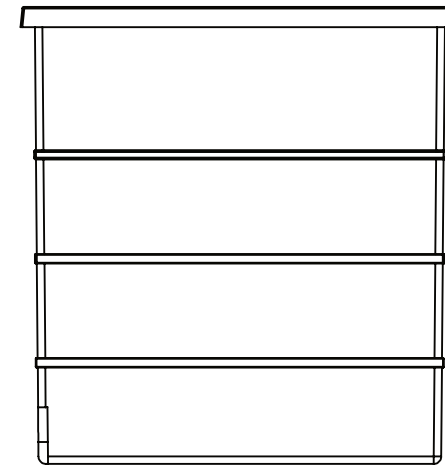
View 3

View 2



View 2

View 3



Connections:

- A - Inlet 1 No pad T1 only
- D - Overflow 1 No pad T2 only
- F1 - Outlet 1 No pad T6 only.
- G - Drain 1 No pad T6 only.

Drawing Approval Date	
Name	
Signature	
<p style="color: red; font-size: small;">I am signing to approve this drawing to progress my order in the build program. I accept that I cannot cancel this order following my signature of approval.</p>	

RUBBED DOWN BY	PRINT NAME
----------------	------------

TITLE	
STANDARD POSITIONS	
DRAWN BY	DATE
D.PRYJMACHUK	28/03/2024
CUSTOMER	CUSTOMER

**NOTE:**  
All tanks must be fully supported on a flat, level & continuous foundation providing structural support to the tank when full to maximum operating capacity. It is essential that the user refers to the conditions of installation document prior to the installation of the tank. Under no circumstances should the tank body be used to provide support to pipework and ancillary items. The tank lid is a structural part of the tank and must be in place and fitted correctly when water is contained within the tank.

ALL DIMENSIONS +/- 5mm UNLESS OTHERWISE STATED

DESCRIPTION:

PW601.INS (AG) STD

ALL DIMENSIONS IN MM - DO NOT SCALE

TANK SPECIFICATION :			
INTERNAL DIMENSIONS	1000 X 500 X 1200mm		
EXTERNAL DIMENSIONS	1180 X 680 X 1236mm		
NOMINAL CAPACITY	600 Litres		
INSULATION THICKNESS	25mm		
STEEL BRACINGS	25mm STEEL BRACE		
ENCAPSULATED BASEBOARD	NONE		
TANK COLOUR	GREY - 00A05		



SCALE:1:20

SHEET 1 OF 1