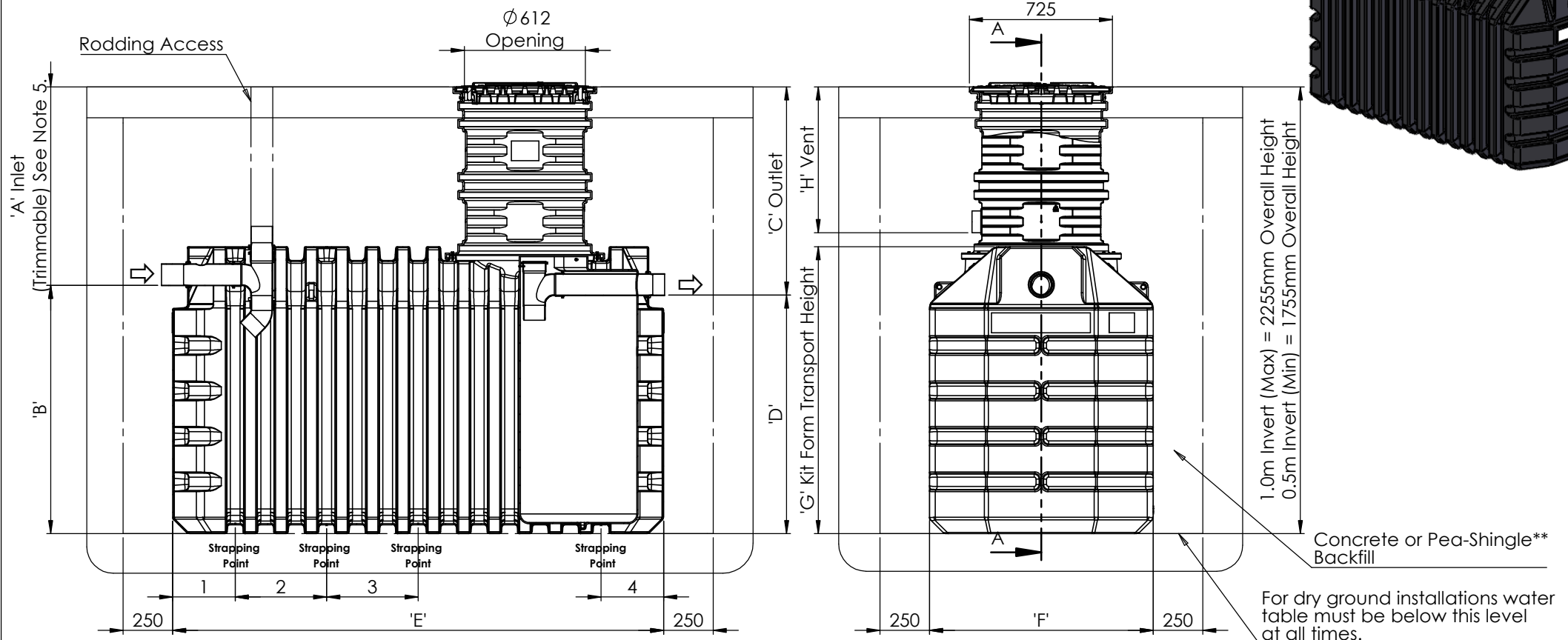
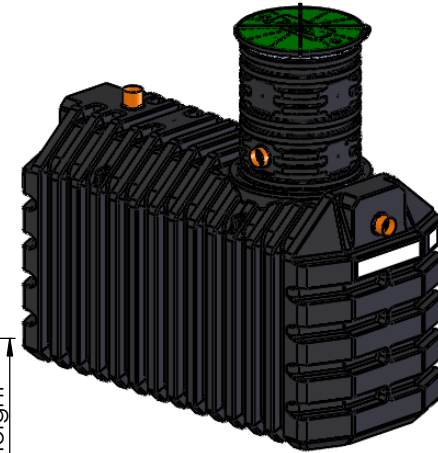


Notes:

- This drawing is for 'Dimensional Information' only. It is essential that this drawing is read in conjunction with the 'Installation Guidelines' supplied with the unit.
- All pipe connections are Ø110mm PVCu.
- Additional ventilation can be achieved on the incoming drain, via a stack pipe. Position to suit specific site conditions.
- Confirm with local building regulations if additional venting is required.
- Tank has a trimmable Inlet Invert from 0.5m to 1.0m. Neck can be trimmed at 100mm increments to required invert. Refer to Drawing DS1261P.
- Keys supplied to open the pedestrian duty cover latches.
- **Pea-Shingle backfill is reliant on use of correct strapping and anchoring.
- Rodding access to be extended to ground level and suitable cover fitted (by others).

Tank Dimensional Table										
Unit	Storage Volume (Ltr)	Dim 'A' (mm)	Dim 'B' (mm)	Dim 'C' (mm)	Dim 'D' (mm)	Dim 'E' (mm)	Dim 'F' (mm)	Dim 'G' (mm)	Dim 'H' (mm)	Tank Weight
GST028TzGK	2800	500-1000	1255	550-1050	1205	2480	1130	1450	735	250 Kgs
GST035TzGK	3500	500-1000	1255	550-1050	1205	3000	1180	1450	735	280 Kgs
GST040TzGK	4000	500-1000	1255	550-1050	1205	3360	1215	1450	735	310 Kgs

Strapping Positions				
Unit	1	2	3	4
GST028TzGK	315mm	460mm	460mm	315mm
GST035TzGK	315mm	800mm	800mm	315mm
GST040TzGK	315mm	900mm	900mm	315mm



Please check with Kingspan Environmental that this drawing is the latest issue				Material : Various		Tolerance :		Drawing : DS1259P		Page 1 of 1	
Issue	Date	Drawn by	Approved by	Description		Finish :		Thickness : n/a			
04	29.05.19	T.Kelly		CC1482 - Pictorial Update to Inlet Pipework		Weight : 143.89 Kg Kgs		Surface Area :		GAMMA Sales Drawing - Twin Stage - Gravity	
03	23/03/17	JMcM		CC1375							
All dimensions in mm				Scale: Not to scale				Kingspan Environmental reserve the right to alter the details of this drawing without prior notice. This drawing is copyright and may not be reproduced or used without the written permission of Kingspan Environmental.			

Z:\Drawing Data\02 - Sales Drawings\DS\DS - 12\DS1259P

