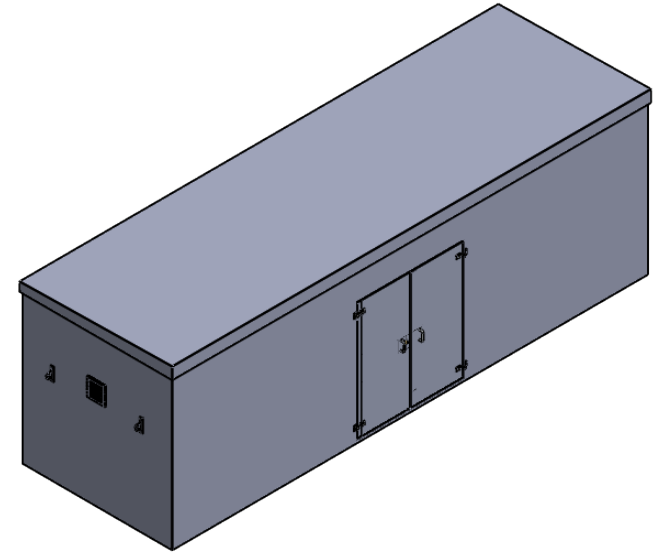


2575 - External Width

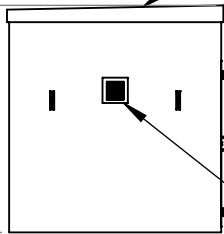
8075 - External Length



Sloped Roof

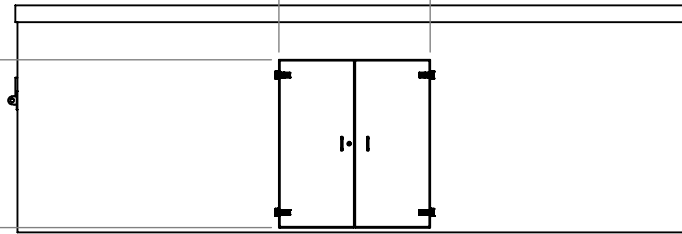
Louvered vent

2700 - External Height



1800 - Door Opening

2000 - Door Opening



TITLE
PWHG.8x2.5x2.5

DRAWN BY
C.Larkin

DATE
23/05/2024

Foundation Requirements:
The foundation area must be no less in length and width than the external dimensions of the enclosure. The foundation must be constructed so as to be capable of supporting the weight of the enclosure and equipment contained within it. The foundation must be continuous and be no more than ±2mm over any given metre.

DESCRIPTION:
PWHG.8x2.5x2.5
KIOSK

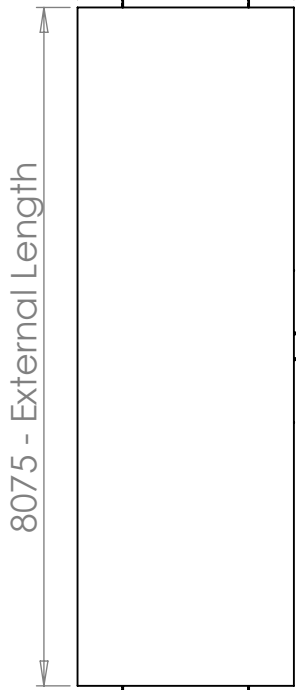
SCALE:1:90 SHEET 1 OF 2

TANK SPECIFICATION :

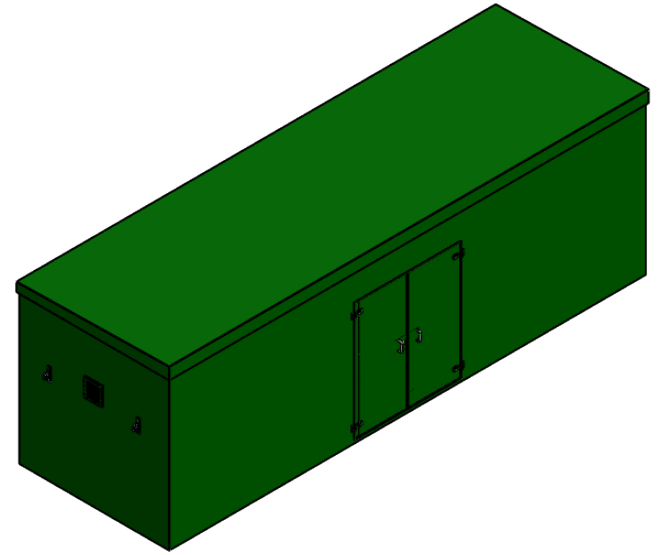
INTERNAL DIMENSIONS	7860 x 2360 x 2500mm
EXTERNAL DIMENSIONS	8075 x 2575 x 2700mm
INSULATION THICKNESS	18mm
MATERIAL	GRP - GREY



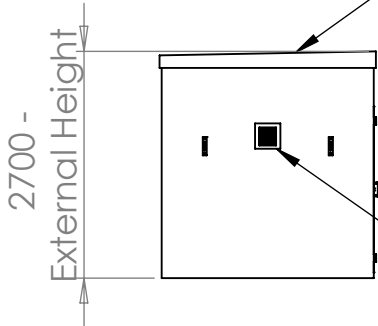
2575 - External Width



8075 - External Length



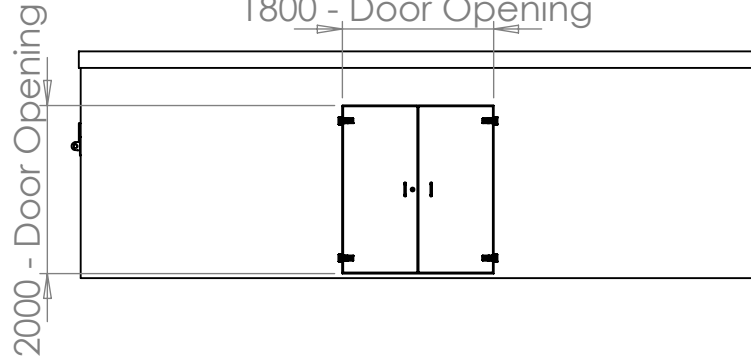
Sloped Roof



2700 - External Height

Louvered vent

1800 - Door Opening



2000 - Door Opening

TITLE
PWHG.8x2.5x2.5

DRAWN BY: C.Larkin
DATE: 23/05/2024

Foundation Requirements:
The foundation area must be no less in length and width than the external dimensions of the enclosure. The foundation must be constructed so as to be capable of supporting the weight of the enclosure and equipment contained within it. The foundation must be continuous and be no more than ±2mm over any given metre.

DESCRIPTION:
PWHG.8x2.5x2.5
KIOSK

SCALE:1:90 SHEET 2 OF 2

TANK SPECIFICATION :

INTERNAL DIMENSIONS	7860 x 2360 x 2500mm
EXTERNAL DIMENSIONS	8075 x 2575 x 2700mm
INSULATION THICKNESS	18mm
MATERIAL	GRP - GREEN

