

TITLE  
**PWHG.5x3x2**

DRAWN BY  
 C.Larkin

DATE  
 23/05/2024

Foundation Requirements:  
 The foundation area must be no less in length and width than the external dimensions of the enclosure. The foundation must be constructed so as to be capable of supporting the weight of the enclosure and equipment contained within it. The foundation must be continuous and be no more than ±2mm over any given metre.

DESCRIPTION:  
 PWHG.5x3x2  
**KIOSK**

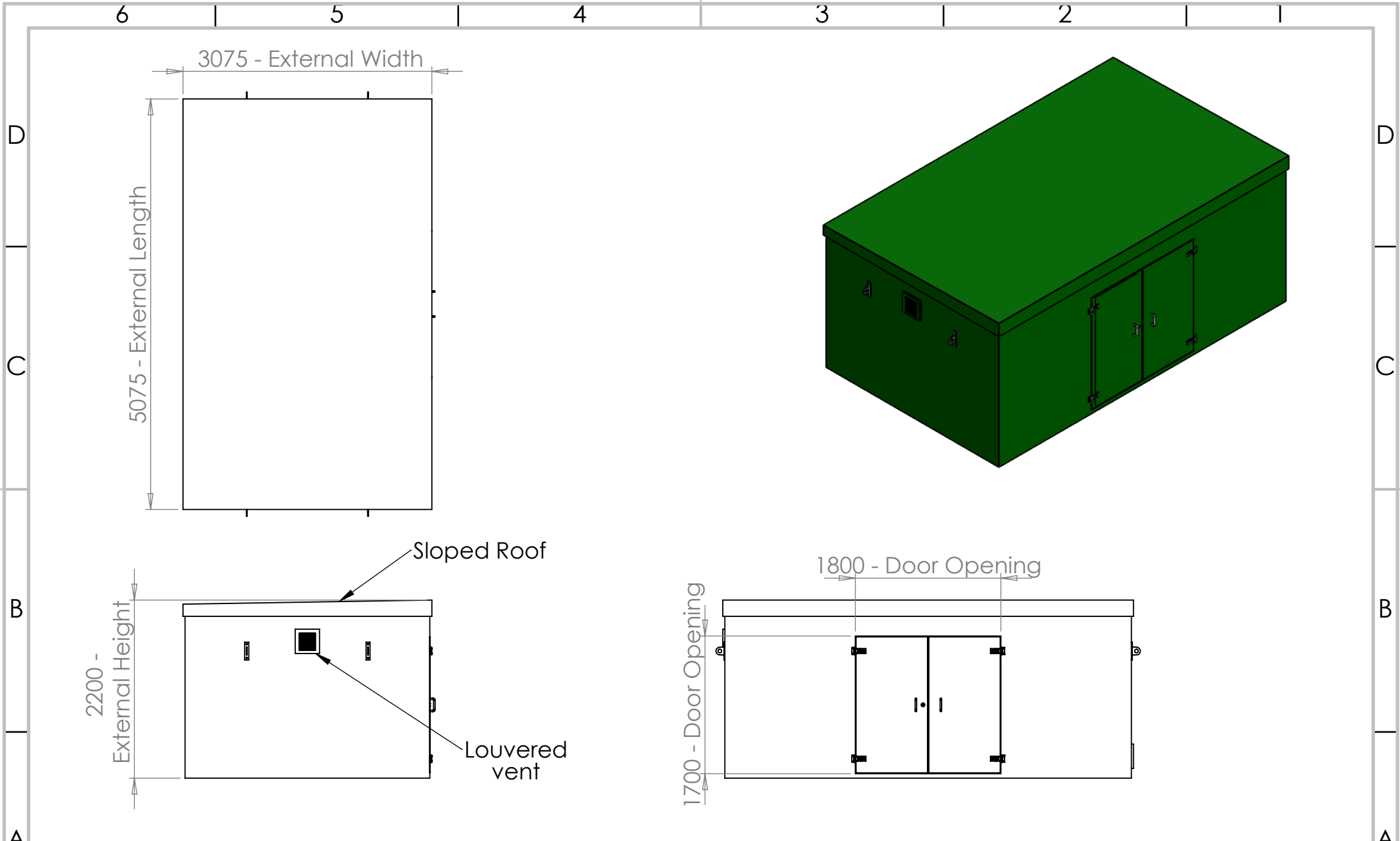
SCALE:1:60

SHEET 1 OF 2

**TANK SPECIFICATION :**

INTERNAL DIMENSIONS	4860 x 2860 x 2000mm
EXTERNAL DIMENSIONS	5075 x 3075 x 2200mm
INSULATION THICKNESS	18mm
MATERIAL	GRP - GREY





TITLE  
**PWHG.5x3x2**

DRAWN BY  
 C.Larkin

DATE  
 23/05/2024

Foundation Requirements:  
 The foundation area must be no less in length and width than the external dimensions of the enclosure. The foundation must be constructed so as to be capable of supporting the weight of the enclosure and equipment contained within it. The foundation must be continuous and be no more than ±2mm over any given metre.

DESCRIPTION:  
 PWHG.5x3x2  
**KIOSK**

SCALE:1:60      SHEET 2 OF 2

**TANK SPECIFICATION :**

INTERNAL DIMENSIONS	4860 x 2860 x 2000mm
EXTERNAL DIMENSIONS	5075 x 3075 x 2200mm
INSULATION THICKNESS	18mm
MATERIAL	GRP - GREEN

