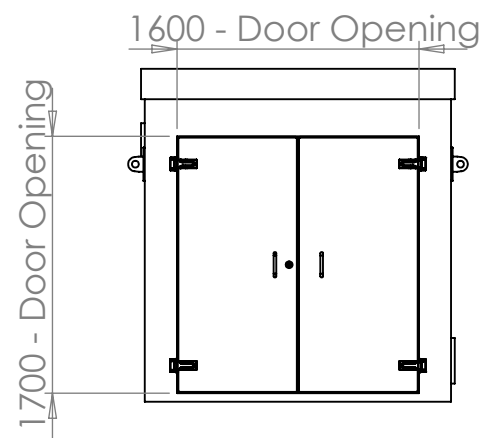
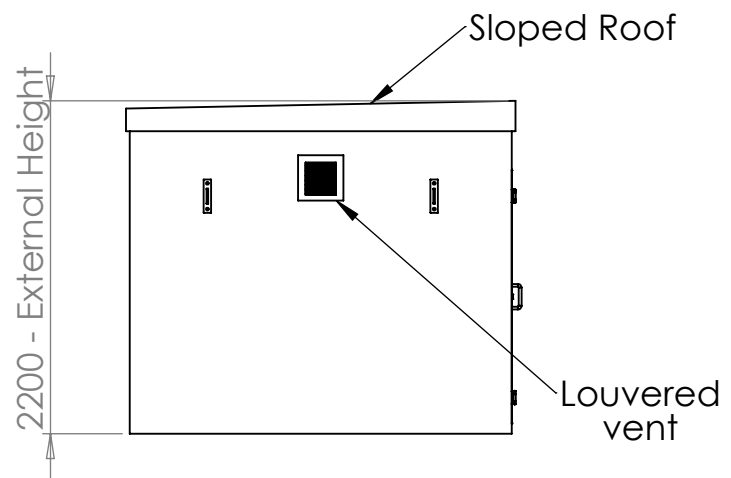
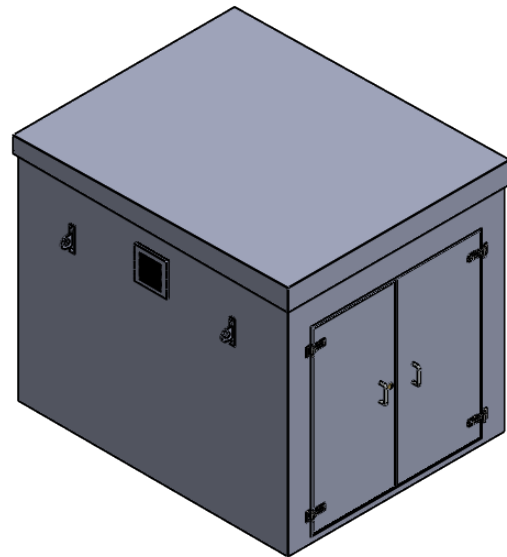
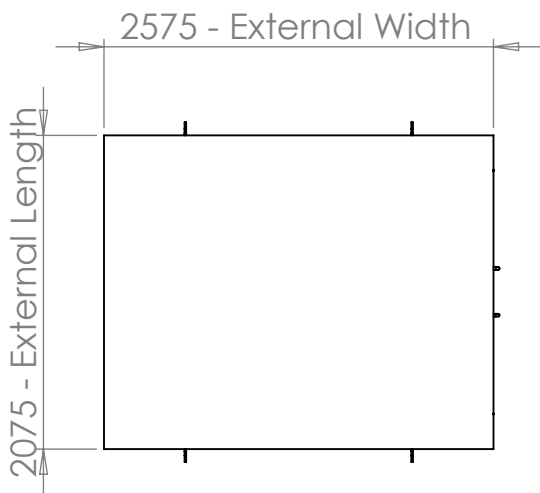


6 5 4 3 2 1

D
C
B
A



D
C
B
A

TITLE	
PWHG.2x2.5x2	
DRAWN BY	DATE
C.Larkin	22/05/2024

Foundation Requirements:
The foundation area must be no less in length and width than the external dimensions of the enclosure. The foundation must be constructed so as to be capable of supporting the weight of the enclosure and equipment contained within it. The foundation must be continuous and be no more than ±2mm over any given metre.

DESCRIPTION:	
PWHG.2x2.5x2	
KIOSK	
SCALE:1:50	SHEET 1 OF 2

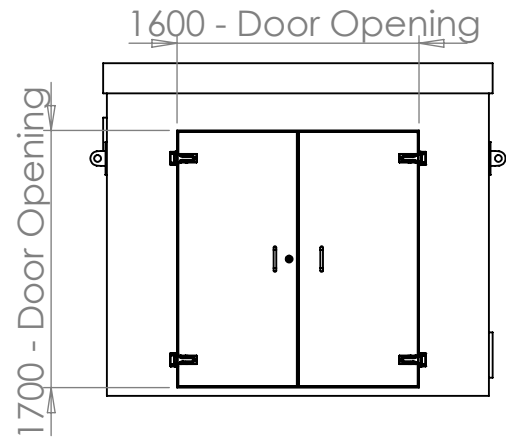
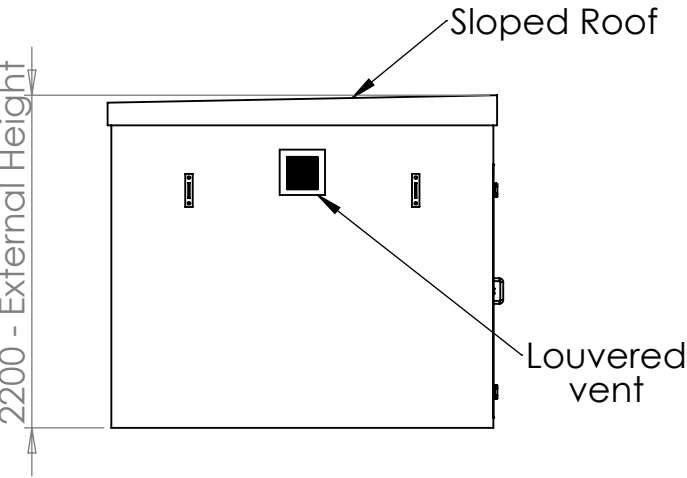
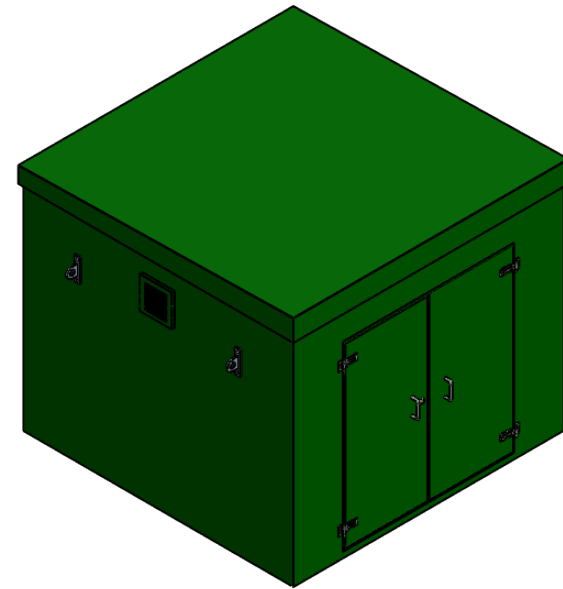
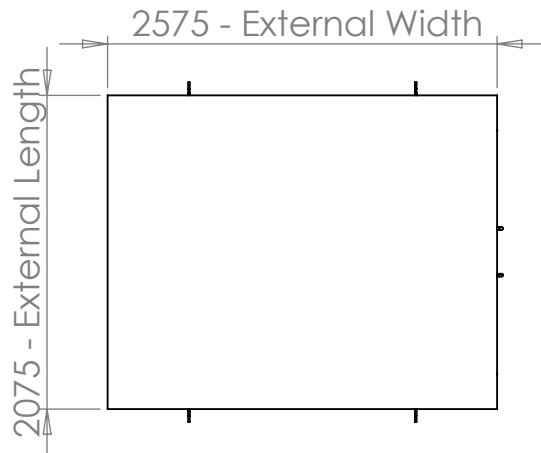
TANK SPECIFICATION :	
INTERNAL DIMENSIONS	1860 x 2360 x 2000mm
EXTERNAL DIMENSIONS	2075 x 2575 x 2200mm
INSULATION THICKNESS	18mm
MATERIAL	GRP - GREY



6 5 4 3 2 1

6 5 4 3 2 1

D
C
B
A



D
C
B
A

TITLE
PWHG.2x2.5x2

DRAWN BY
C.Larkin

DATE
22/05/2024

Foundation Requirements:
The foundation area must be no less in length and width than the external dimensions of the enclosure. The foundation must be constructed so as to be capable of supporting the weight of the enclosure and equipment contained within it. The foundation must be continuous and be no more than ±2mm over any given metre.

DESCRIPTION:
PWHG.2x2.5x2
KIOSK

SCALE:1:50 SHEET 2 OF 2

TANK SPECIFICATION :

INTERNAL DIMENSIONS	1860 x 2360 x 2000mm
EXTERNAL DIMENSIONS	2075 x 2575 x 2200mm
INSULATION THICKNESS	18mm
MATERIAL	GRP - GREEN



6 5 4 3 2 1