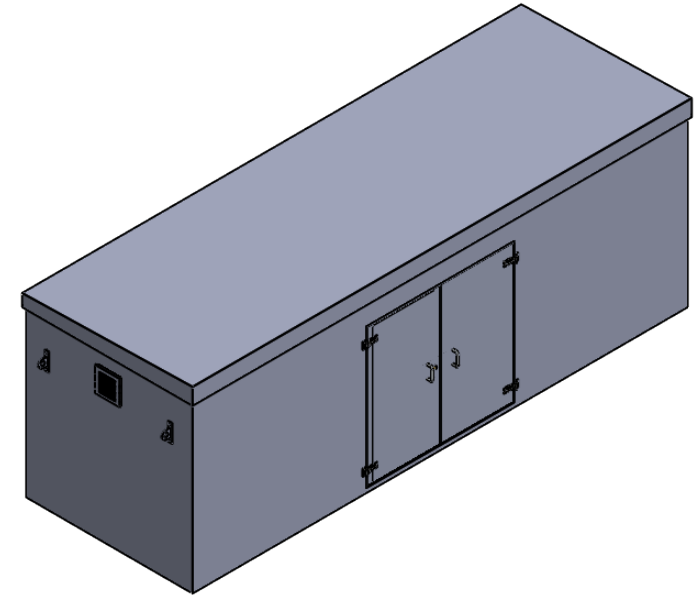
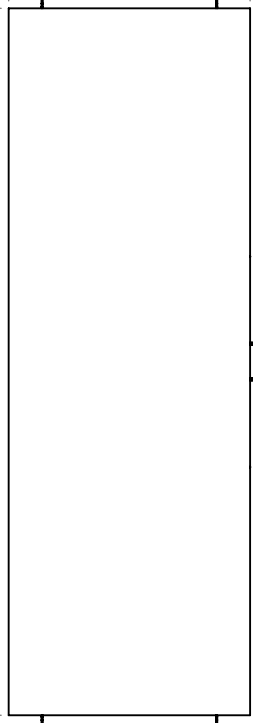


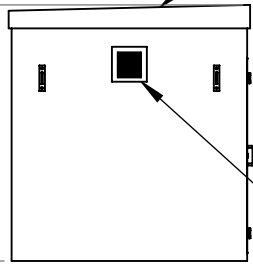
2075 - External Width

6075 - External Length



Sloped Roof

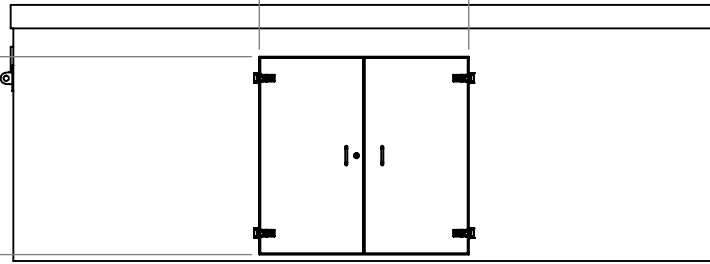
2200 - External Height



Louvered vent

1800 - Door Opening

1700 - Door Opening



TITLE

PWHG.6x2x2

DRAWN BY: C.Larkin
DATE: 22/05/2024

Foundation Requirements:

The foundation area must be no less in length and width than the external dimensions of the enclosure. The foundation must be constructed so as to be capable of supporting the weight of the enclosure and equipment contained within it. The foundation must be continuous and be no more than ±2mm over any given metre.

DESCRIPTION:

PWHG.6x2x2

KIOSK

SCALE:1:65

SHEET 1 OF 2

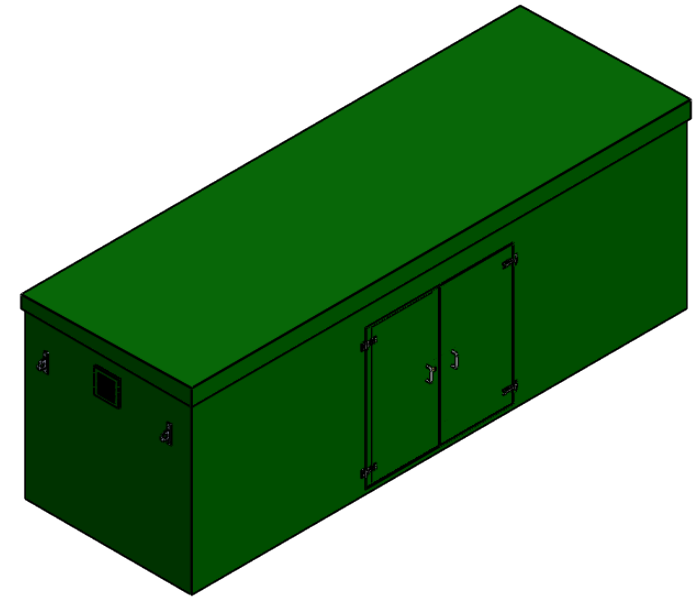
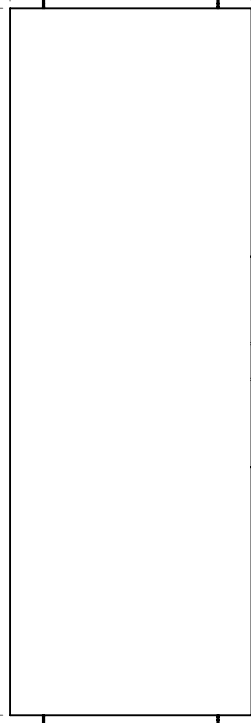
TANK SPECIFICATION :

INTERNAL DIMENSIONS	5860 x 1860 x 2000mm
EXTERNAL DIMENSIONS	6075 x 2075 x 2200mm
INSULATION THICKNESS	18mm
MATERIAL	GRP - GREY



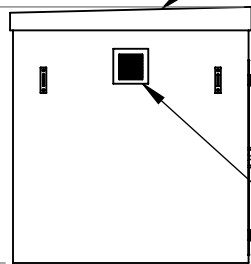
2075 - External Width

6075 - External Length



Sloped Roof

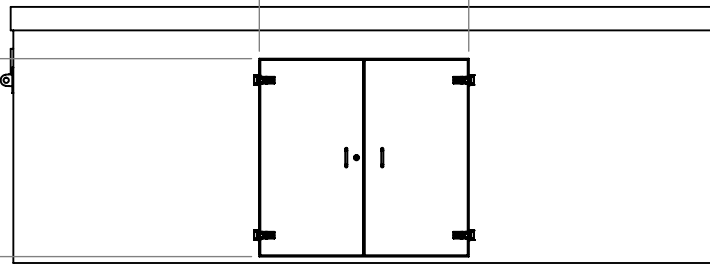
2200 - External Height



Louvered vent

1800 - Door Opening

1700 - Door Opening



TITLE

PWHG.6x2x2

DRAWN BY: C.Larkin
DATE: 22/05/2024

Foundation Requirements:

The foundation area must be no less in length and width than the external dimensions of the enclosure. The foundation must be constructed so as to be capable of supporting the weight of the enclosure and equipment contained within it. The foundation must be continuous and be no more than ±2mm over any given metre.

DESCRIPTION:

PWHG.6x2x2

KIOSK

SCALE:1:65

SHEET 2 OF 2

TANK SPECIFICATION :

INTERNAL DIMENSIONS	5860 x 1860 x 2000mm
EXTERNAL DIMENSIONS	6075 x 2075 x 2200mm
INSULATION THICKNESS	18mm
MATERIAL	GRP - GREEN

