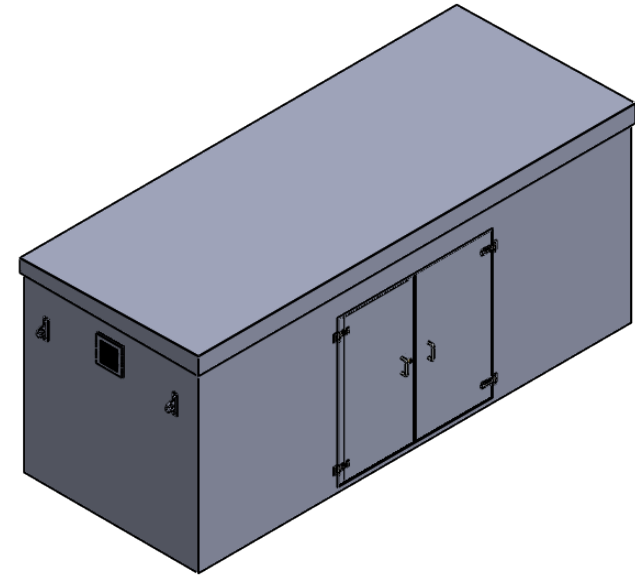
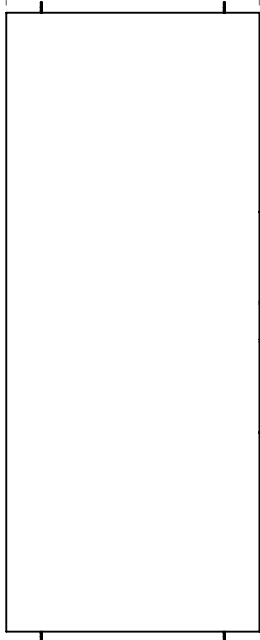


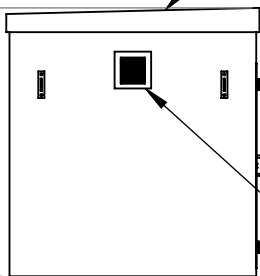
2075 - External Width

5075 - External Length



Sloped Roof

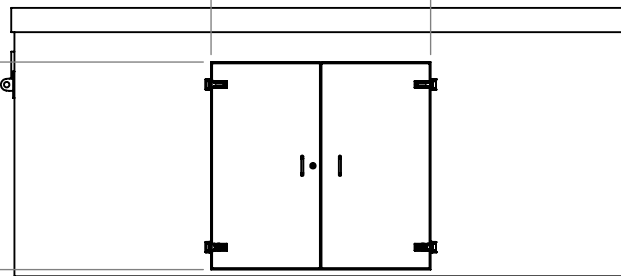
2200 - External Height



Louvered vent

1800 - Door Opening

1700 - Door Opening



TITLE

PWHG.5x2x2

DRAWN BY: C.Larkin DATE: 22/05/2024

Foundation Requirements:

The foundation area must be no less in length and width than the external dimensions of the enclosure. The foundation must be constructed so as to be capable of supporting the weight of the enclosure and equipment contained within it. The foundation must be continuous and be no more than ±2mm over any given metre.

DESCRIPTION:

PWHG.5x2x2

KIOSK

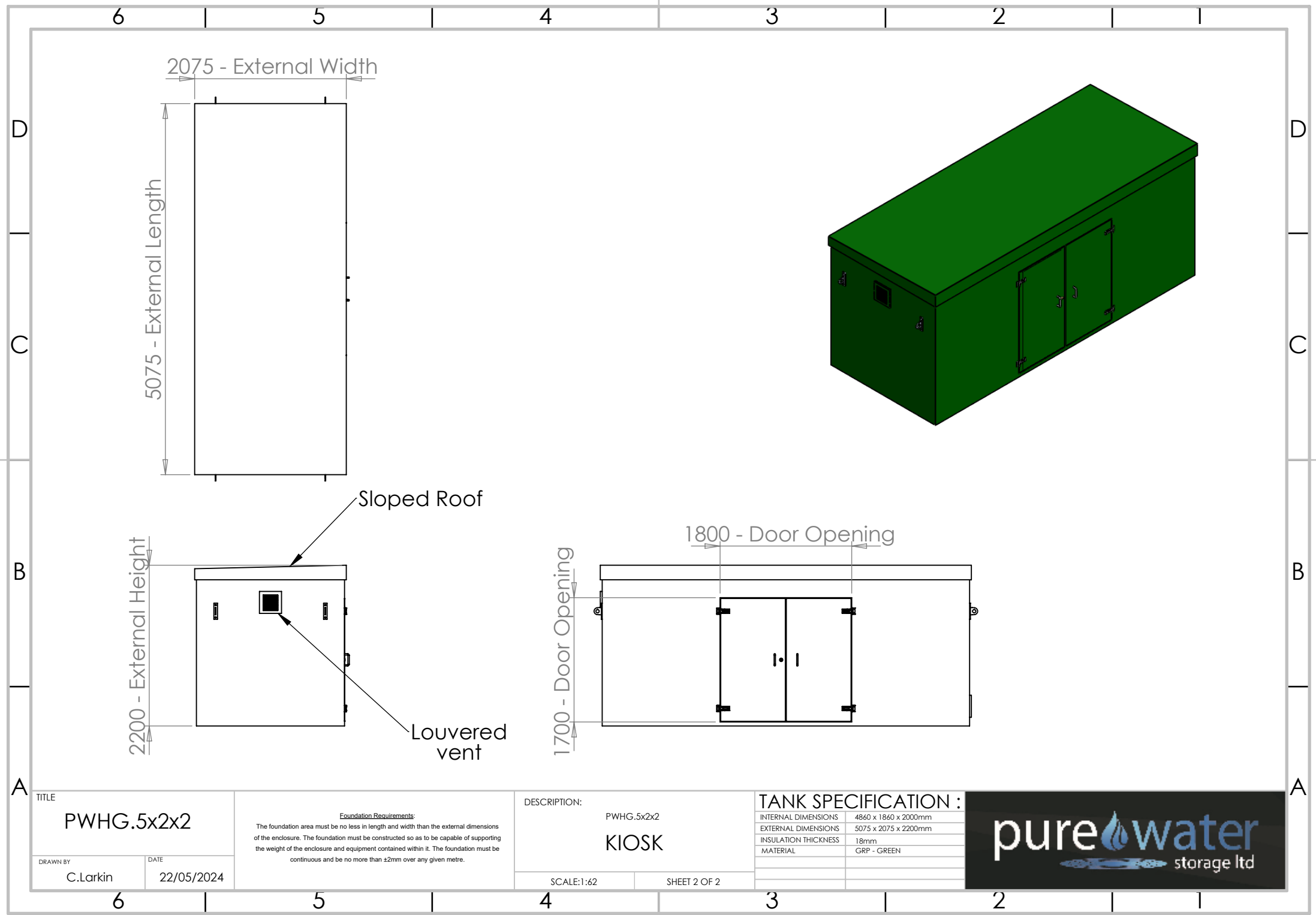
SCALE:1:62

SHEET 1 OF 2

TANK SPECIFICATION :

INTERNAL DIMENSIONS	4860 x 1860 x 2000mm
EXTERNAL DIMENSIONS	5075 x 2075 x 2200mm
INSULATION THICKNESS	18mm
MATERIAL	GRP - GREY





2075 - External Width

5075 - External Length

Sloped Roof

2200 - External Height

Louvered vent

1800 - Door Opening

1700 - Door Opening

TITLE	
PWHG.5x2x2	
DRAWN BY	DATE
C.Larkin	22/05/2024

Foundation Requirements:
 The foundation area must be no less in length and width than the external dimensions of the enclosure. The foundation must be constructed so as to be capable of supporting the weight of the enclosure and equipment contained within it. The foundation must be continuous and be no more than ±2mm over any given metre.

DESCRIPTION:	
PWHG.5x2x2	
KIOSK	
SCALE:1:62	SHEET 2 OF 2

TANK SPECIFICATION :	
INTERNAL DIMENSIONS	4860 x 1860 x 2000mm
EXTERNAL DIMENSIONS	5075 x 2075 x 2200mm
INSULATION THICKNESS	18mm
MATERIAL	GRP - GREEN

