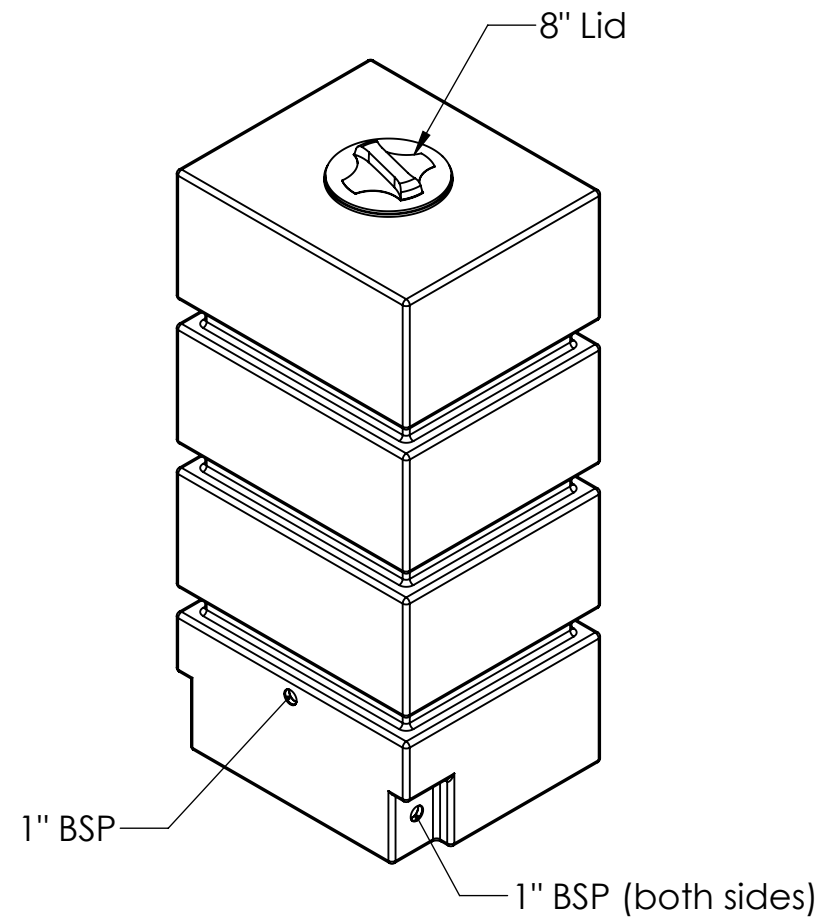
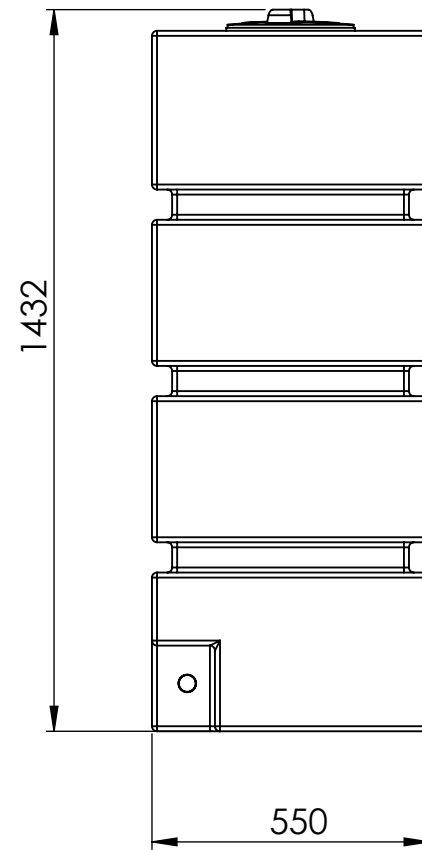
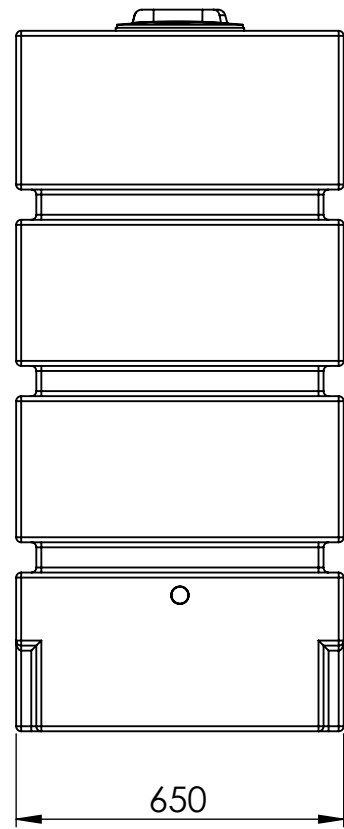
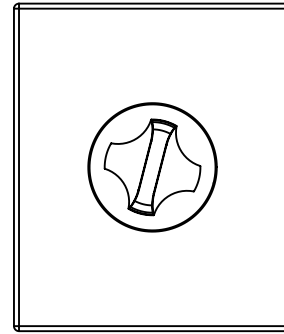



THE INFORMATION CONTAINED IN THIS DRAWING IS THE SOLE PROPERTY OF KINGSPAN WATER & ENERGY LTD. ANY REPRODUCTION IN PART OR WHOLE WITHOUT THE WRITTEN PERMISSION OF KINGSPAN WATER & ENERGY LTD. IS PROHIBITED.



UNLESS OTHERWISE SPECIFIED DIMENSIONS ARE IN APPROXIMATE AND SUBJECT TO SOME MANUFACTURING VARIANCE.	DRAWN	DATE	Kingspan Water & Energy Ltd 180 Gilford Road, Portadown, Co. Armagh, BT63 5LE. TEL: +44 (0)28 3836 4500 email: Kel.Technical@kingspan.com
	SB	12 May 2023	
SCALE	APPROVED <i>[Signature]</i>		WATER BUTT 456L
MATERIAL			
MASS (Kg)	29		SIZE A3 DRAWING NO. WB456L REV. 01 IF IN DOUBT - ASK. SHEET 1 OF 1
CAD GENERATED DRAWING, DO NOT MANUALLY UPDATE 3RD ANGLE PROJECTION DO NOT SCALE DRAWING			

Please Check with Kingspan Water & Energy Ltd For The Latest Issue Of This Drawing			
REV.	DESCRIPTION	DATE	DRAWN BY
01	ECN2870 - First issue	12/05/2023	SB